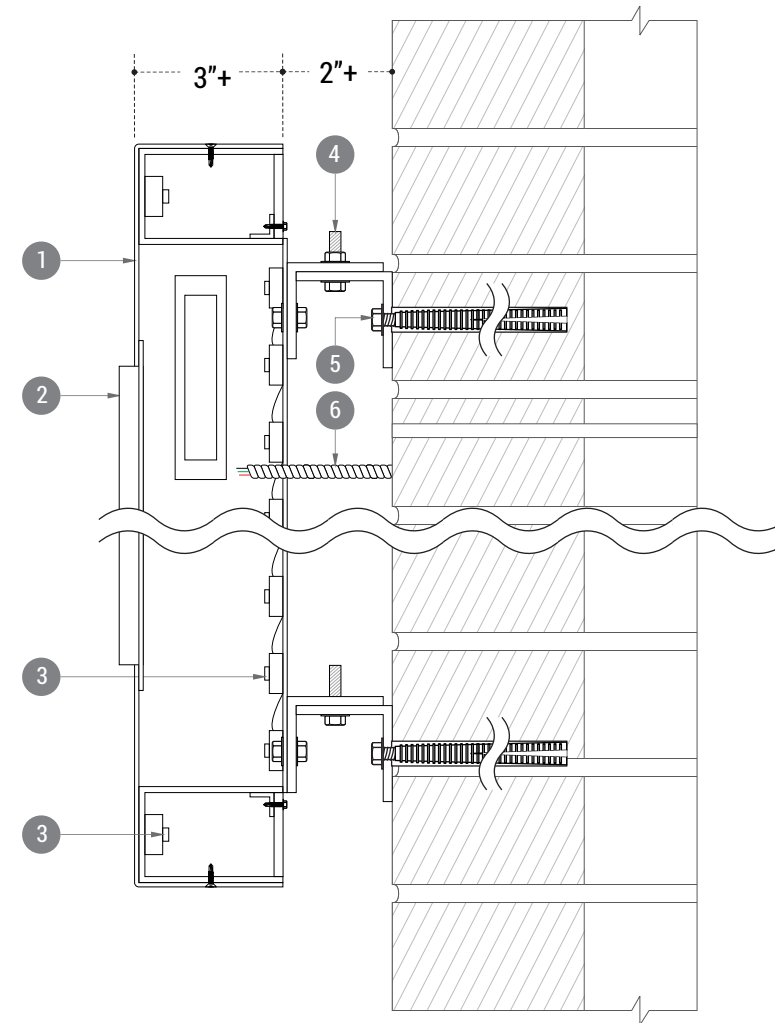


**A** ENLARGED ELEVATION  
SCALE: 1:16

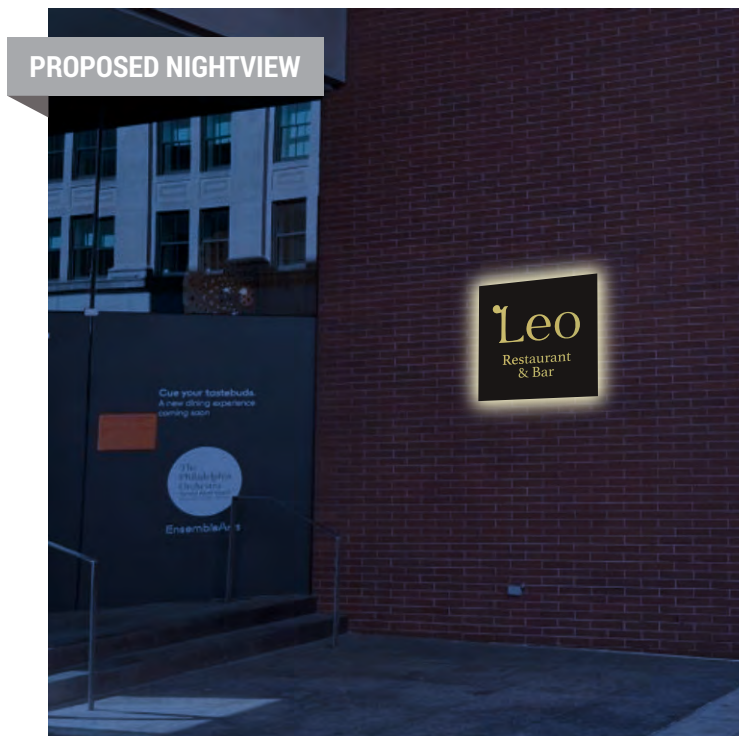
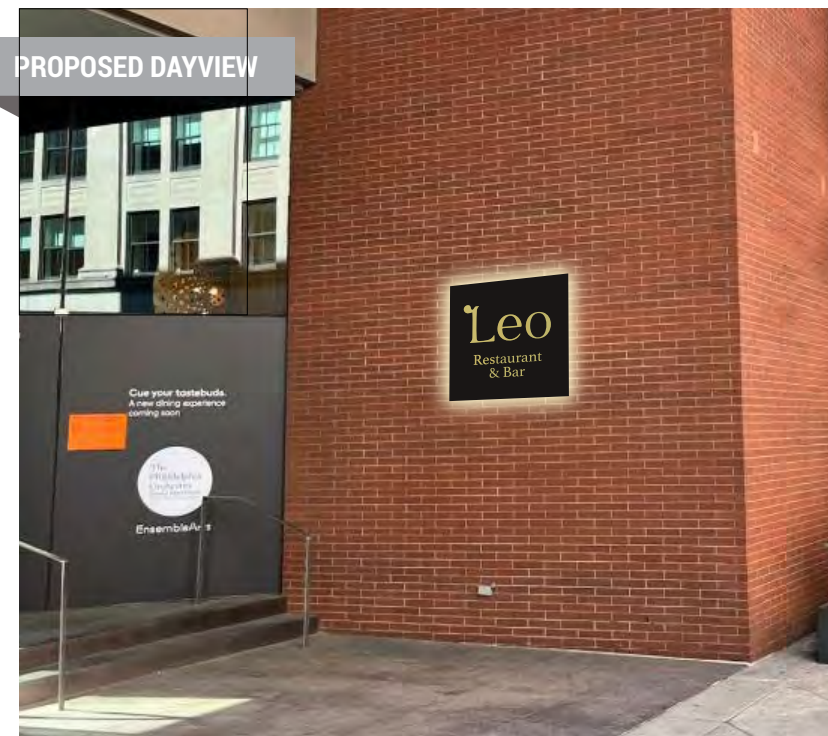
**SIGN EXPOSURE**  
**16 FT<sup>2</sup>**  
SIGN WEIGHT: 40 LBS

**B**  
04.1

- 2" X 3" CHANNEL FRAME WITH .090" ALUMINUM PAN FACE. FACE SECURED INTO FRAME WITH PERIMETER COUNTERSUNK HARDWARE. ALL EXPOSED PAINTED BLACK (P1). 3/16" FROSTED ACRYLIC (P95) LENS FOR BACKLIGHTING.
- 1/2" CLEAR ACRYLIC PUSH-THRU, WITH FACE APPLIED TRANSLUCENT GOLD VINYL (V2), WITH FACE APPLIED VINYL COUNTERS (V3).
- WARM WHITE LED LIGHTING (3000K)
- 2" X 2" ALUM. ANGLE MOUNTING RAILS AT 36" LONG, TOP AND BOTTOM.
- 2" X 2" ALUM. ANGLE WALL RAILS AT 36" LONG, TOP AND BOTTOM. RAILS SECURED FLUSH TO BRICK WALL VIA 3/8" SS LAG AND SHIELDS @ 5" EMBEDMENT, AT (2) LOCATIONS PER RAIL.
- SELF-CONTAINED POWER SUPPLY 120V OR 277V PRIMARY ELEC. SVC. AT CENTER OF SIGN LOCATION. PRIMARY PROVIDED BY OTHERS.



**B** PROFILE SECTION  
SCALE: 1:4



## Kimmel Center

Curtain Call - Leo  
300 S. Broad St., Philadelphia, PA 19107

**Project: 24-2229-KIMM**

Halo-Lit Cabinet with Push-Thru Qty: 01

**Fabrication Information:**  
PRODUCE INTERNALLY ILLUMINATED CABINET WITH HALO-LIT PERIMETER.

**Installation Information:**  
INSTALL ONTO BRICK AS SHOWN

**Electrical Information:**

360W Max	120/277V	3A Max Draw
----------	----------	-------------

**Paint**

P1	Satin - MP Black Umber (30116)
----	--------------------------------

**Vinyl**

V2	3M - Gold Nugget Translucent (3630-141)
V3	Matte Black (900-180-0)

**ENGINEERING NOTES:**

THIS LETTERED WALL SIGN WHEN INSTALLED AS SHOWN AND NOTED WILL:

- WITHSTAND A 22 PSF WIND FORCE FROM A 120 MPH WIND SPEED.
- BE NON-COMBUSTIBLE.
- COMPLY WITH APPLICABLE PROVISIONS OF ASCE 7-16, AND 2018 IBC.

Rob Peters 02.18.25  
Kimmel Center\24-2229-KIMM\_Leo...

THIS DOCUMENT CONTAINS CONFIDENTIAL AND PROPRIETARY INFORMATION THAT CANNOT BE REPRODUCED OR DIVULGED, IN WHOLE OR IN PART, WITHOUT WRITTEN AUTHORIZATION FROM CITY SIGN SERVICE, INC. © 2025

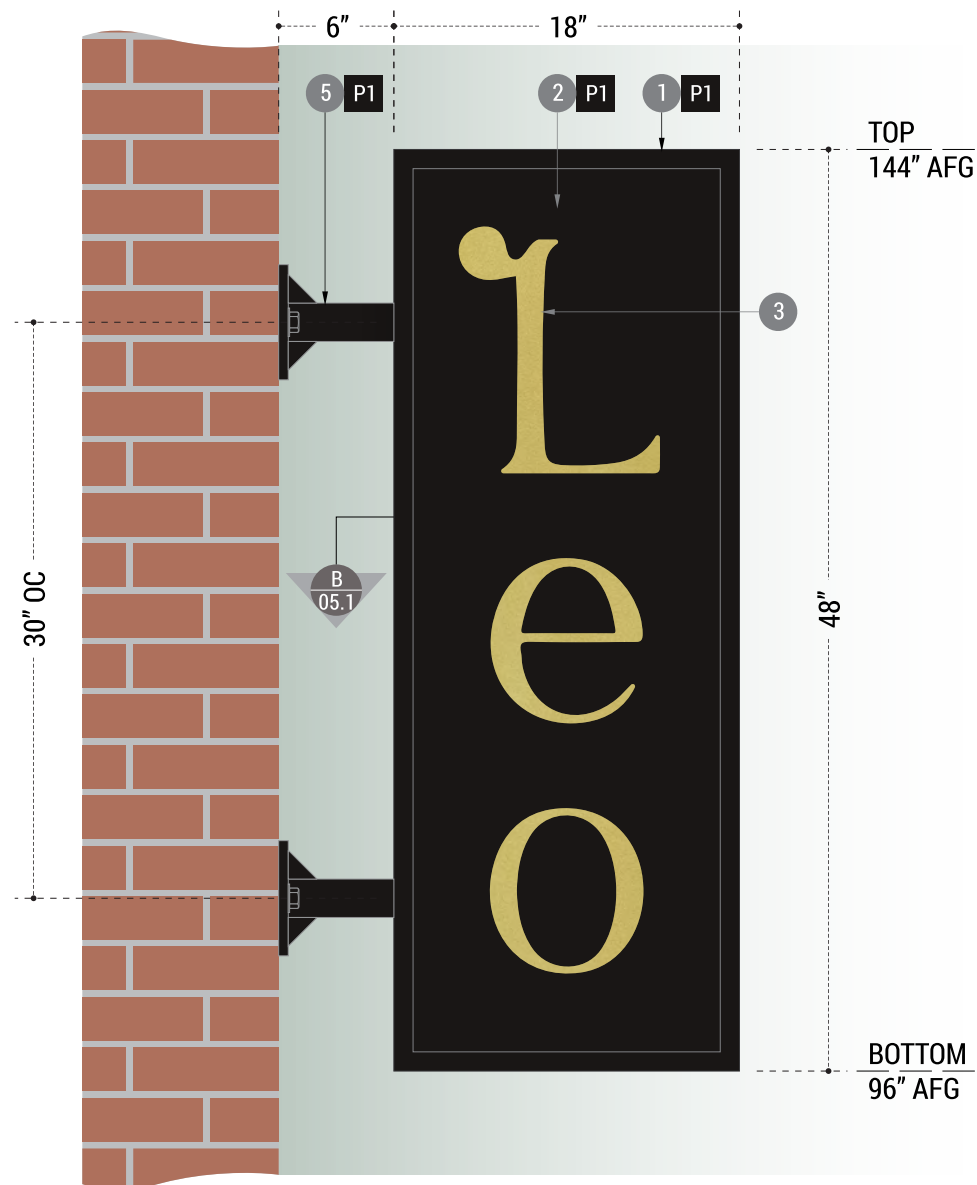
**Revisions:**

R1 02.28.25 RP	R6 R6.00.00 -
R2 03.04.25 RP	R7 R7.00.00 -
R3 03.13.25 RP	R8 R8.00.00 -
R4 03.18.25 RP	R9 R9.00.00 -
R5 03.19.25 RP	

**CITY SIGN INC.** Interior / Exterior Sign Manufacturers

424 Caredean Dr.  
Horsham PA, 19044  
T. 215.442.1323  
citysignservice.net

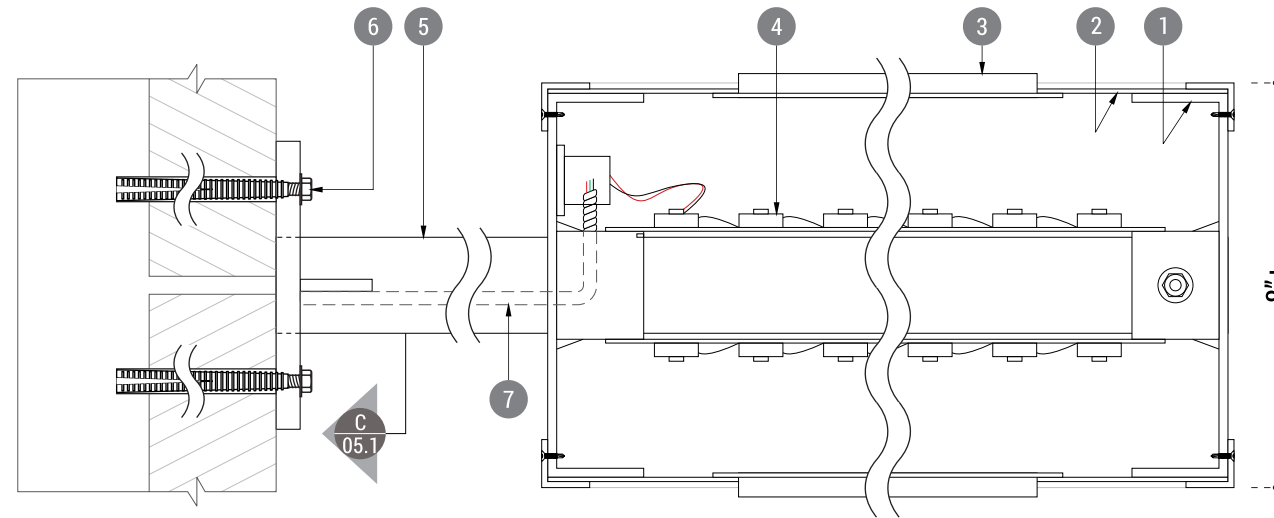




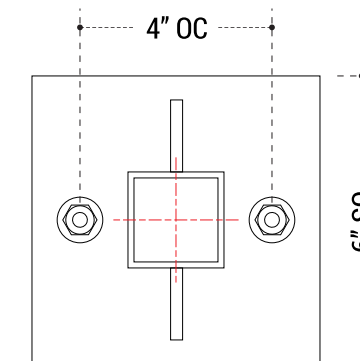
**A** ENLARGED ELEVATION  
SCALE: 1:10

**SIGN EXPOSURE**  
**6.00 FT<sup>2</sup>**  
SIGN WEIGHT: 50 LBS

- 8" X 2" ALUMINUM CHANNEL FRAME WITH 1" X 1" ALUMINUM ANGLE RETAINERS. ALL EXPOSED PAINTED BLACK (P1).
- .090" ALUMINUM FACE PANEL, ROUTED OUT FOR PUSH-THRU CHARACTERS. ALL EXPOSED PAINTED BLACK (P1).
- ½" CLEAR ACRYLIC PUSH-THRU, WITH FACE APPLIED TRANSLUCENT GOLD METALLIC VINYL (V2).
- WARM WHITE LED LIGHTING (3000K).
- 2" x 2" x ¼" ALUMINUM TUBE ARMS, WELDED AROUND ½" THICK ALUMINUM MOUNTING PLATE WITH GUSSETS. ALL EXPOSED PAINTED BLACK (P1).
- SIGN ASSEMBLY SECURED FLUSH TO BRICK WALL VIA ½" SS LAG AND SHIELDS @ 5" EMBEDMENT, AT (2) LOCATIONS PER PLATE.
- SELF-CONTAINED POWER SUPPLY. 120V OR 277V PRIMARY ELEC. SVC. AT CENTER OF ARM LOCATION. PRIMARY PROVIDED BY OTHERS.



**B** PLAN SECTION  
SCALE: 1:4



**C** ARM SECTION  
SCALE: 1:2



PROPOSED DAYVIEW



PROPOSED NIGHTVIEW

## Kimmel Center

Curtain Call - Leo  
300 S. Broad St., Philadelphia, PA 19107

Project: 24-2229-KIMM

D/F Int. Illum. Projection Cabinet

Qty: 01

**Fabrication Information:**  
PRODUCE DOUBLE-FACED, INTERNALLY ILLUMINATED PROJECTING CABINET.

**Installation Information:**  
INSTALL ONTO BRICK AS SHOWN.

**Electrical Information:**

360W Max

120/277V

3A Max Draw

**Paint**

P1 Satin - MP Black Umber (30116)

**Vinyl**

V2 3M - Gold Nugget Translucent (3630-141)

### ENGINEERING NOTES:

THIS LETTERED WALL SIGN WHEN INSTALLED AS SHOWN AND NOTED WILL:

- WITHSTAND A 22 PSF WIND FORCE FROM A 120 MPH WIND SPEED.
- BE NON-COMBUSTIBLE.
- COMPLY WITH APPLICABLE PROVISIONS OF ASCE 7-16, AND 2018 IBC.

Rob Peters 02.18.25

Kimmel Center\24-2229-KIMM\_Leo...

THIS DOCUMENT CONTAINS CONFIDENTIAL AND PROPRIETARY INFORMATION THAT CANNOT BE REPRODUCED OR DIVULGED, IN WHOLE OR IN PART, WITHOUT WRITTEN AUTHORIZATION FROM CITY SIGN SERVICE, INC. © 2025

Revisions:

- |                |               |
|----------------|---------------|
| R1 02.28.25 RP | R6 R6.00.00 - |
| R2 03.04.25 RP | R7 R7.00.00 - |
| R3 03.13.25 RP | R8 R8.00.00 - |
| R4 03.18.25 RP | R9 R9.00.00 - |
| R5 R5.00.00 -  |               |



Interior / Exterior  
Sign Manufacturers

424 Caredean Dr.  
Horsham PA, 19044  
T. 215.442.1323  
citysignservice.net



05.2







Locus

