

DESIGNS PREPARED FOR:

Wonder

PHILADELPHIA, PA

SITE ADDRESS:

1001 S. Broad St
Philadelphia, PA 19147

JOB NUMBER:

000000

SALES REPRESENTATIVE:

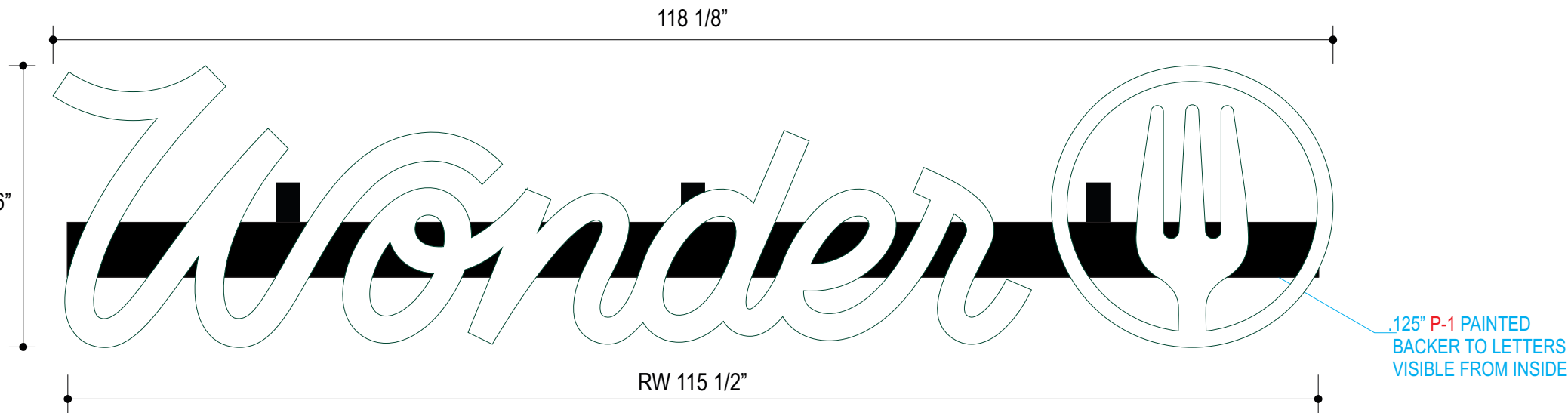
R. Walker

PROJECT MANAGER:

X. XXXXXXXX

RL.1 FACE LIT CHANNEL LETTERS ON A RACEWAY (Qty 1) ALL MEASUREMENTS ARE APPROXIMATE, SURVEY REQUIRED BEFORE PRODUCTION

OVERALL SQUARE FOOTAGE: 21.33 SQ FT



FRONT VIEW
SCALE: X = 1'-0"



EXTERIOR VIEW

SPECIFICATIONS:

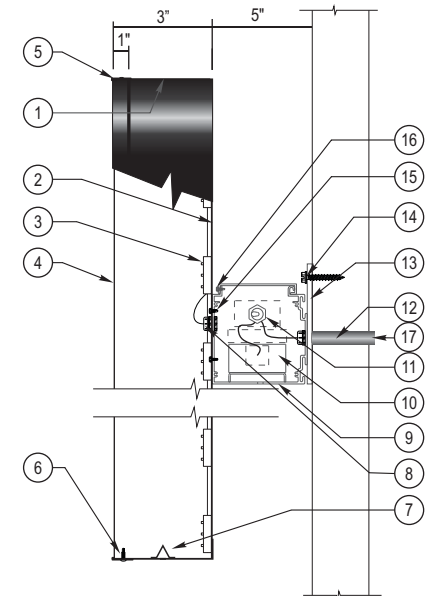
- .040" X 3" PRE-FINISHED ALUMINUM COIL (WHITE INSIDE) (SEAMS IN CORNERS OR TOP) PAINTED TO MATCH TRIMCAP COLOR **P-1**
- 040 ALUMINUM BACKS
- PRINCIPAL LED QUICK MOD 2 LEDs
- 3/16" WHITE ACRYLIC **#2447**
- 1" PRE-FINISHED JEWELITE CHEMICALLY BONDED TO FACES (SEAMS AT THE TOP) **HUNTER GREEN**
- #8 - 1/2" PAN HEAD SCREWS (NO MORE THAN 24" APART)
- 1/4" DIA. WEEP HOLES W/ .063" DRAIN HOLE COVER
- 7/8" ELECTRICAL HOLE / 1/2" COUPLER WITH FLEXIBLE CONDUIT TO POWER SUPPLY BOX (IN MIDDLE OF LETTER UNLESS NOTED OTHERWISE)
- 5" H X 5" D ALUMINUM RACEWAY EXTRUSION W/ REMOVABLE TOP COVER W/ 1/4" DIA. WEEP HOLES - PAINTED TO MATCH BUILDING COLOR
- LED POWER SUPPLY ON 1/2" STANDOFF FROM BOTTOM OF RACEWAY
- TOGGLE SWITCH MOUNTED TO RACEWAY / MOUNT TO TOGGLE FRONT TO BACK
- FLEXIBLE CONDUIT W/ WEATHER TIGHT FLEX CONNECTOR (15 FT. MIN. LENGTH)
- 1/4" THICK MOUNTING STRAPS
- MOUNTING HARDWARE TO SUIT FIELD CONDITIONS
- #10 X 1/2" LONG TEK SCREWS
- #8 X 1/2" LONG SELF TAPPING SCREWS
- RIGID CONDUIT THROUGH WALL WITH 1/2" - 1" STUB BEYOND INSIDE WALL INSTALLER TO FOLLOW LOCAL CODE.

NOTES:

- PHOTO CELL**
- ELECTRICIAN TO ADD A TIMER AT THE SERVICE PANEL
- UL STICKER VISIBLE TO GROUND & JONES STICKER**

COLORS / FINISHES:

- P-1** MP TO MATCH PMS 553C
- P-2** MP BLACK



CROSS SECTION VIEW
SCALE: X = 1'-0"

JONES SIGN
Your Vision. Accomplished.
A MORTENSEN COMPANY

JOB #:
DATE: 03.10.25
DESIGNER:
SALES REP: R. Walker
PROJ MGR:

REQUIRED:

- FIELD SURVEY PAINT COLOR FONTS
 VECTOR ARTWORK CLIENT PMS COLOR ENGINEERING

OTHER:

LANDLORD APPROVAL

DATE

CLIENT APPROVAL

DATE

Wonder

Wonder
1001 S. Broad St
Philadelphia, PA 19147

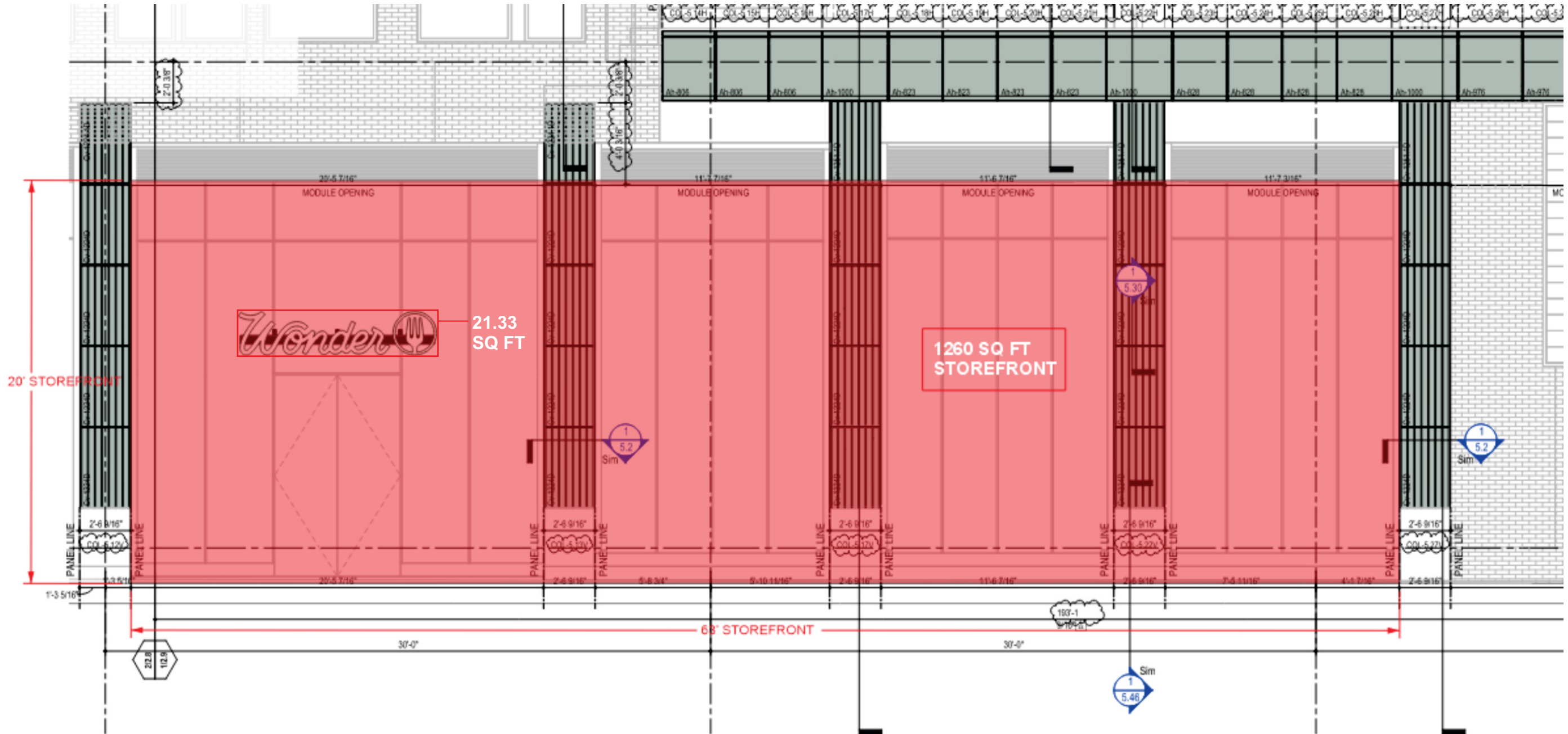
SHEET NUMBER

3.0

STOREFRONT

ALL MEASUREMENTS ARE APPROXIMATE, SURVEY REQUIRED BEFORE PRODUCTION

OVERALL STOREFRONT SQUARE FOOTAGE: 1260
SIGN SQUARE FOOTAGE: 21.33



	JOB #: DATE: 03.10.25 DESIGNER: SALES REP: R. Walker PROJ MGR:	REQUIRED:	LANDLORD APPROVAL _____ DATE _____ CLIENT APPROVAL _____ DATE _____		Wonder 1001 S. Broad St Philadelphia, PA 19147	SHEET NUMBER <h1 style="font-size: 2em;">4.0</h1>
	OTHER:	<input type="checkbox"/> FIELD SURVEY <input type="checkbox"/> PAINT COLOR <input type="checkbox"/> FONTS <input type="checkbox"/> VECTOR ARTWORK <input type="checkbox"/> CLIENT PMS COLOR <input type="checkbox"/> ENGINEERING				

This is an original, unpublished drawing by Jones Sign Co., Inc. It is for your personal use in conjunction with a project being planned for you by JONES SIGN. It is not to be shown to anyone outside of your organization, nor is it to be used, reproduced, copied or exhibited in any fashion. Use of this design or the salient elements of this design in any sign done by any other company, without the express written permission of JONES SIGN, is forbidden by law and carries a civil forfeiture of up to 25% of the purchase price of the sign. JONES SIGN will endeavor to closely match colors, including PMS, where specified. We cannot guarantee exact matches due to varying compatibility of surface materials and paints used. All sizes and dimensions are illustrated for client's conception of project and are not to be understood as being exact size or exact scale.

BG.1 DIGITALLY PRINTED FIRST SURFACE BRAND GRAPHICS ALL MEASUREMENTS ARE APPROXIMATE, SURVEY REQUIRED BEFORE PRODUCTION

OVERALL GRAPHIC SQUARE FOOTAGE: 40.54

BG.01 DOOR (COPY 40% OF GLASS WIDTH)

BG.02 WINDOW



SPECIFICATIONS:

1. 3M WHITE VINYL APPLIED FIRST SURFACE TO WINDOWS **V-1**
2. DIGITALLY PRINTED VINYL APPLIED TO FIRST SURFACE TO WINDOWS **DP-1**

COLORS / FINISHES:

- V-1** 3M WHITE VINYL
- DP-1** DIGITALLY PRINTED VINYL



EXTERIOR VIEW

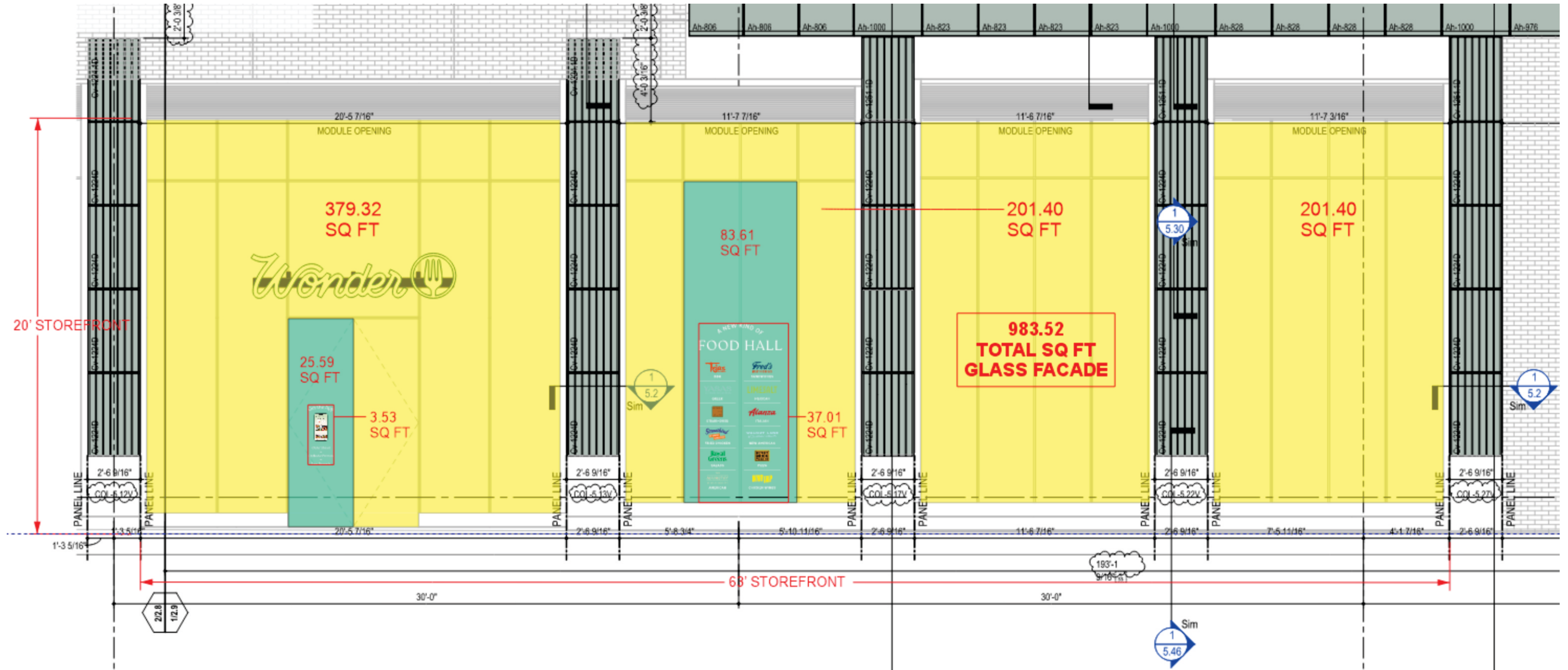
	JOB #: DATE: 03.10.25 DESIGNER: SALES REP: R. Walker PROJ MGR:	REQUIRED:	LANDLORD APPROVAL _____ DATE _____ CLIENT APPROVAL _____ DATE _____		Wonder 1001 S. Broad St Philadelphia, PA 19147	SHEET NUMBER <h1 style="font-size: 2em;">5.0</h1>
	<input type="checkbox"/> FIELD SURVEY <input type="checkbox"/> PAINT COLOR <input type="checkbox"/> FONTS <input type="checkbox"/> VECTOR ARTWORK <input type="checkbox"/> CLIENT PMS COLOR <input type="checkbox"/> ENGINEERING	OTHER:				

This is an original, unpublished drawing by Jones Sign Co., Inc. It is for your personal use in conjunction with a project being planned for you by JONES SIGN. It is not to be shown to anyone outside of your organization, nor is it to be used, reproduced, copied or exhibited in any fashion. Use of this design or the salient elements of this design in any sign done by any other company, without the express written permission of JONES SIGN, is forbidden by law and carries a civil forfeiture of up to 25% of the purchase price of the sign. JONES SIGN will endeavor to closely match colors, including PMS, where specified. We cannot guarantee exact matches due to varying compatibility of surface materials and paints used. All sizes and dimensions are illustrated for client's conception of project and are not to be understood as being exact size or exact scale.

BG.1 FIRST SURFACE BRAND GRAPHICS - COVERAGE

ALL MEASUREMENTS ARE APPROXIMATE, SURVEY REQUIRED BEFORE PRODUCTION

OVERALL GRAPHIC SQUARE FOOTAGE: **40.54 SQ FT** > 20% OF 983.52 SQ FT



<p>JONES SIGN Your Vision. Accomplished. A MORTENSEN COMPANY</p>	JOB #: DATE: 03.10.25 DESIGNER: SALES REP: R. Walker PROJ MGR:	REQUIRED: <input type="checkbox"/> FIELD SURVEY <input type="checkbox"/> PAINT COLOR <input type="checkbox"/> FONTS <input type="checkbox"/> VECTOR ARTWORK <input type="checkbox"/> CLIENT PMS COLOR <input type="checkbox"/> ENGINEERING OTHER:	LANDLORD APPROVAL _____ DATE _____ CLIENT APPROVAL _____ DATE _____		Wonder 1001 S. Broad St Philadelphia, PA 19147	SHEET NUMBER <h1>6.0</h1>
	This is an original, unpublished drawing by Jones Sign Co., Inc. It is for your personal use in conjunction with a project being planned for you by JONES SIGN. It is not to be shown to anyone outside of your organization, nor is it to be used, reproduced, copied or exhibited in any fashion. Use of this design or the salient elements of this design in any sign done by any other company, without the express written permission of JONES SIGN, is forbidden by law and carries a civil forfeiture of up to 25% of the purchase price of the sign. JONES SIGN will endeavor to closely match colors, including PMS, where specified. We cannot guarantee exact matches due to varying compatibility of surface materials and paints used. All sizes and dimensions are illustrated for client's conception of project and are not to be understood as being exact size or exact scale.					