

INVOICE:
21621

CUSTOMER:
The Saints

ADDRESS:
1901 Chestnut St
Philadelphia, PA 19103

SIGN TYPE:
Illuminated Awning

DESIGNER:

FILE LOCATION:
\\DESKTOP-4AL03DKV2024\SAR Philly\Matt

FILE NAME:
Saints Awning.fs

REVISION:
Number: **1** Date: 1/21/2025

SHEET:
1 of 1

GC CONTACT:

COMMENTS:

THIS IS AN ORIGINAL UNPUBLISHED DRAWING CREATED BY SIGNARAMA. IT MAY NOT BE REPRODUCED, COPIED, EXHIBITED OR UTILIZED FOR ANY PURPOSE, IN PART OR IN WHOLE BY ANY INDIVIDUAL INSIDE OR OUTSIDE WITHOUT WRITTEN CONSENT OF SIGNARAMA.

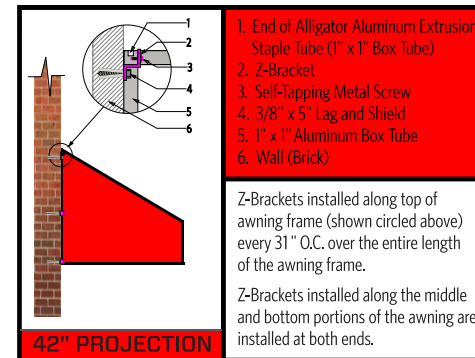
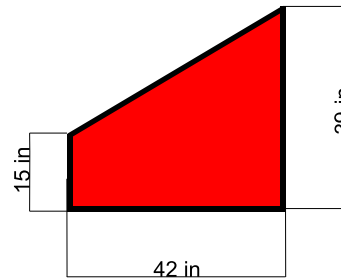
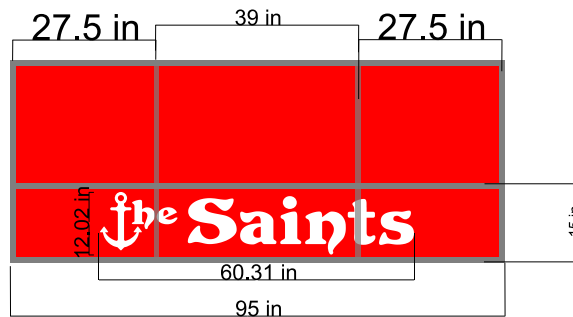


Existing



Proposed

Qty 1
Illuminated Awning
Aluminum Tube Construction
with Nite-Lite Vinyl ink colored fabric
Color: Red
Logo to be eradicated
Color: White



1. End of Alligator Aluminum Extrusion Staple Tube (1" x 1" Box Tube)
2. Z-Bracket
3. Self-Tapping Metal Screw
4. 3/8" x 5" Lag and Shield
5. 1" x 1" Aluminum Box Tube
6. Wall (Brick)

Z-Brackets installed along top of awning frame (shown circled above) every 31" O.C. over the entire length of the awning frame.

Z-Brackets installed along the middle and bottom portions of the awning are installed at both ends.

42" PROJECTION