

BROWN EXPEDITING SERVICES

December 9, 2024

Philadelphia Art Commission
1515 Arch Street, 13th Floor
Philadelphia, PA 19102

Re: 1525 Walnut Street

Dear Sign Committee,

Please see the attached drawing for the proposed wall sign for Mejuri.
The sign is $\frac{3}{4}$ " thick back lit acrylic letters 2' x 11'-8 $\frac{3}{4}$ ".

A smaller sign and awning was approved last year, but they are now trying to be more visible.
They have removed the awning and would like this illuminated sign now.

If you have any questions or need any further information, please contact me.

Thank you,
Linda Brown



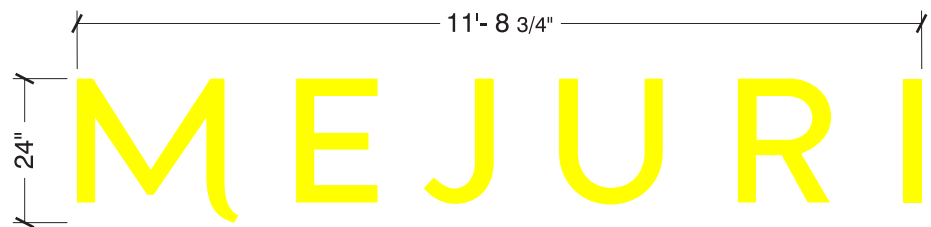
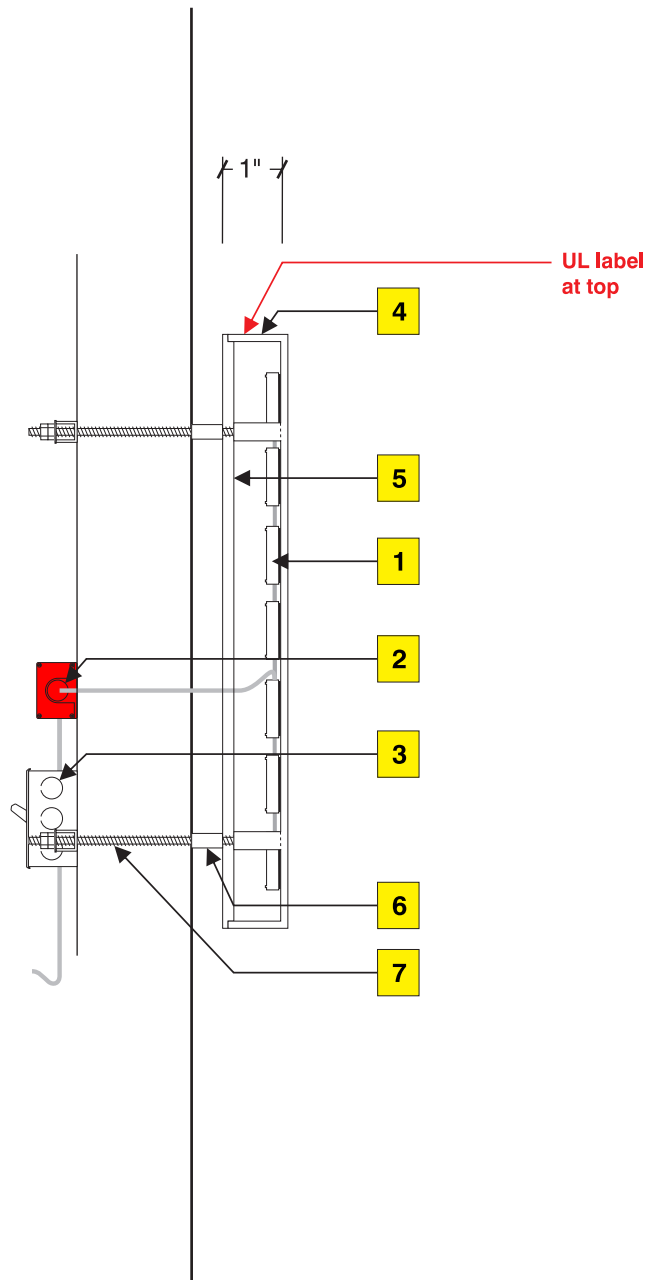
Existing



Proposed
Signs rendered proportional to the photo

Sales:	Lisa Koebel
PM:	Troy Davis
Art:	JEM 08.22.24
Drwg #:	238443-1-7





Scale: 3/8" = 1'-0"
SQ FT: 23.46

Illumination

- 1** GE 5000K white ribbon LEDs.
- 2** Remote France 60w power supplies.
- 3** UL Listed disconnect switch.

Bodies

- 4** 3/4" acrylic bodies routed for LEDs & mounting bosses. Bodies are primed white & painted black (no edge lighting).

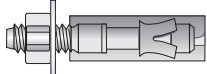
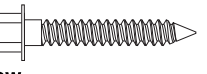
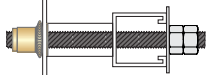
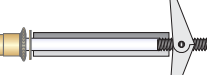

Backs

- 5** 1/4" acrylic w/ white diffuser vinyl. Backs are routed to inset into bodies & heavy glued on to bodies.
- 6** 1/2" spacers painted white.

Mounting

- 7** Stud mounted w/ adhesive

Mounting

<input type="checkbox"/>  <p>Wedge anchors For use in masonry applications.</p>	<input type="checkbox"/>  <p>Lag screw Wood lags for solid wood backing. Concrete lags for solid masonry applications. Only when specified by NAS.</p>
<input type="checkbox"/>  <p>Thru-Bolt w/ (Preferred) Hollow walls w/ rear access. Backing- U-Channel, angle iron or wood.</p>	<input type="checkbox"/>  <p>Toggle bolt For use in hollow walls w/ suitable wall materials.</p>
<input checked="" type="checkbox"/>  <p>Stud mounted</p>	

Colors to match



Sales:	Lisa Koebel
PM:	Troy Davis
Art:	JEM 08.22.24
Drwg #:	238443-1-7



Mejuri
1525 Walnut Street



LOOKING EAST ON WALNUT



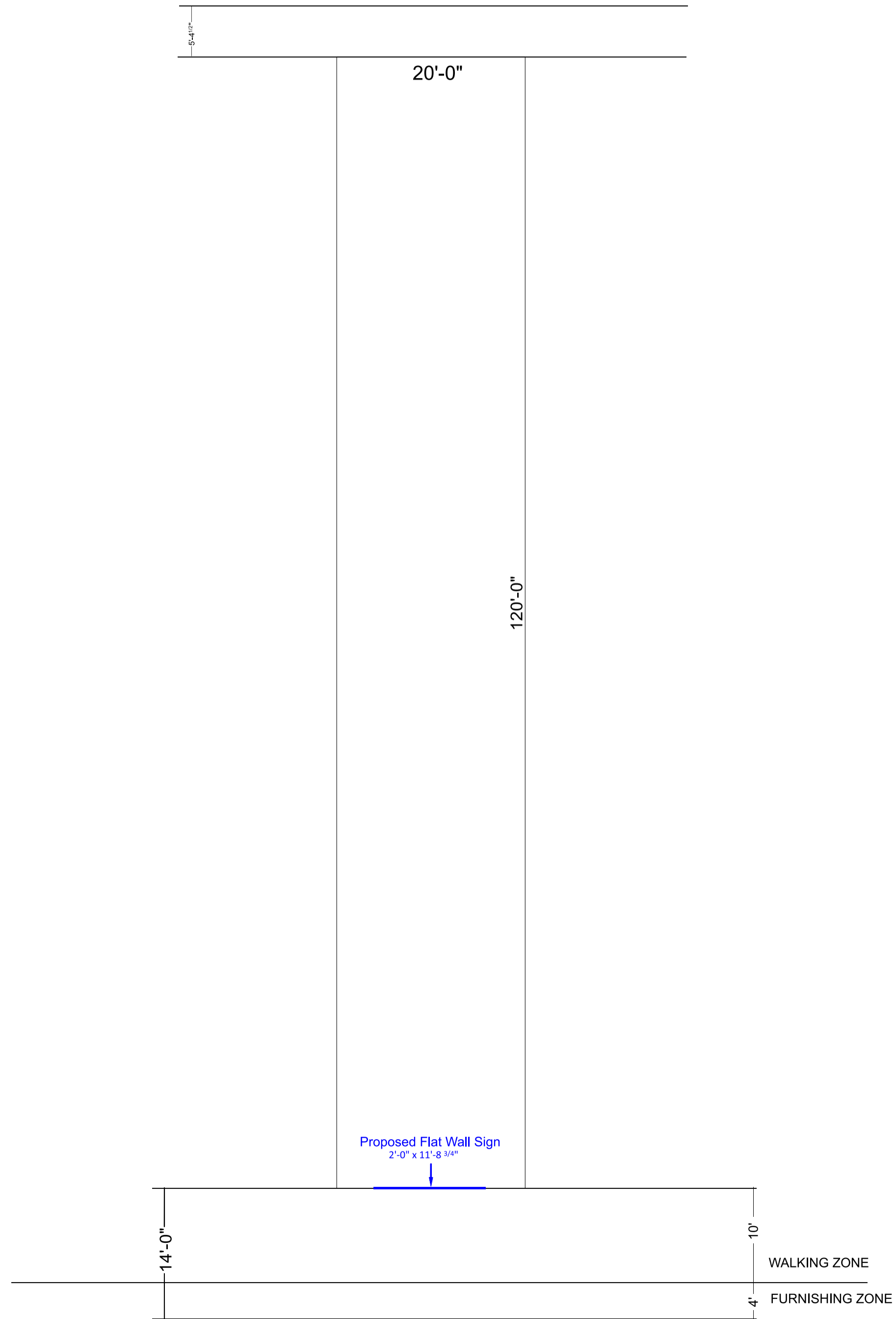
LOOKING WEST ON WALNUT



ACROSS WALNUT



MORAVIAN STREET (5'-4.5" - 9' - 5'-4.5")



WALNUT STREET (16'-26'-14')

Mejuri
1525 Walnut Street
Philadelphia, PA



SCALE: 1"=10'

SITE
PLAN