

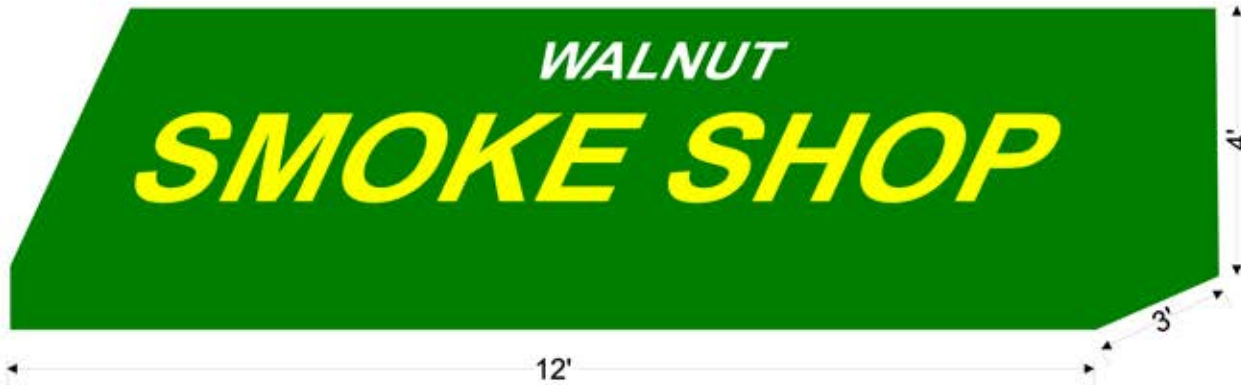
**Existing**



**Proposed**



**Awning Re-fabric**

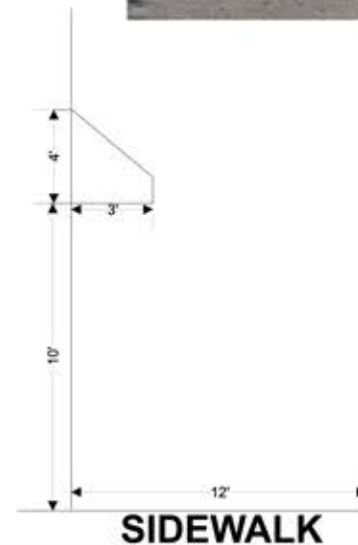


**NON-ILLUMINATED INDIVIDUAL AWNING**

- \*DICKSON MARINE FABRIC FOREST GREEN #6169 COLOR B/G
- \*WHITE AND YELLOW COLOR LETTER



**EXISTING AWNING**



**SIDEWALK**

**Name:** Walnut Smoke Shop

**Address:**  
733 Walnut St  
Philadelphia PA 19107

430N 12th St Unit A  
 Philadelphia, PA 19123  
**215.798.3338**  
 Startpointsigns@gmail.com