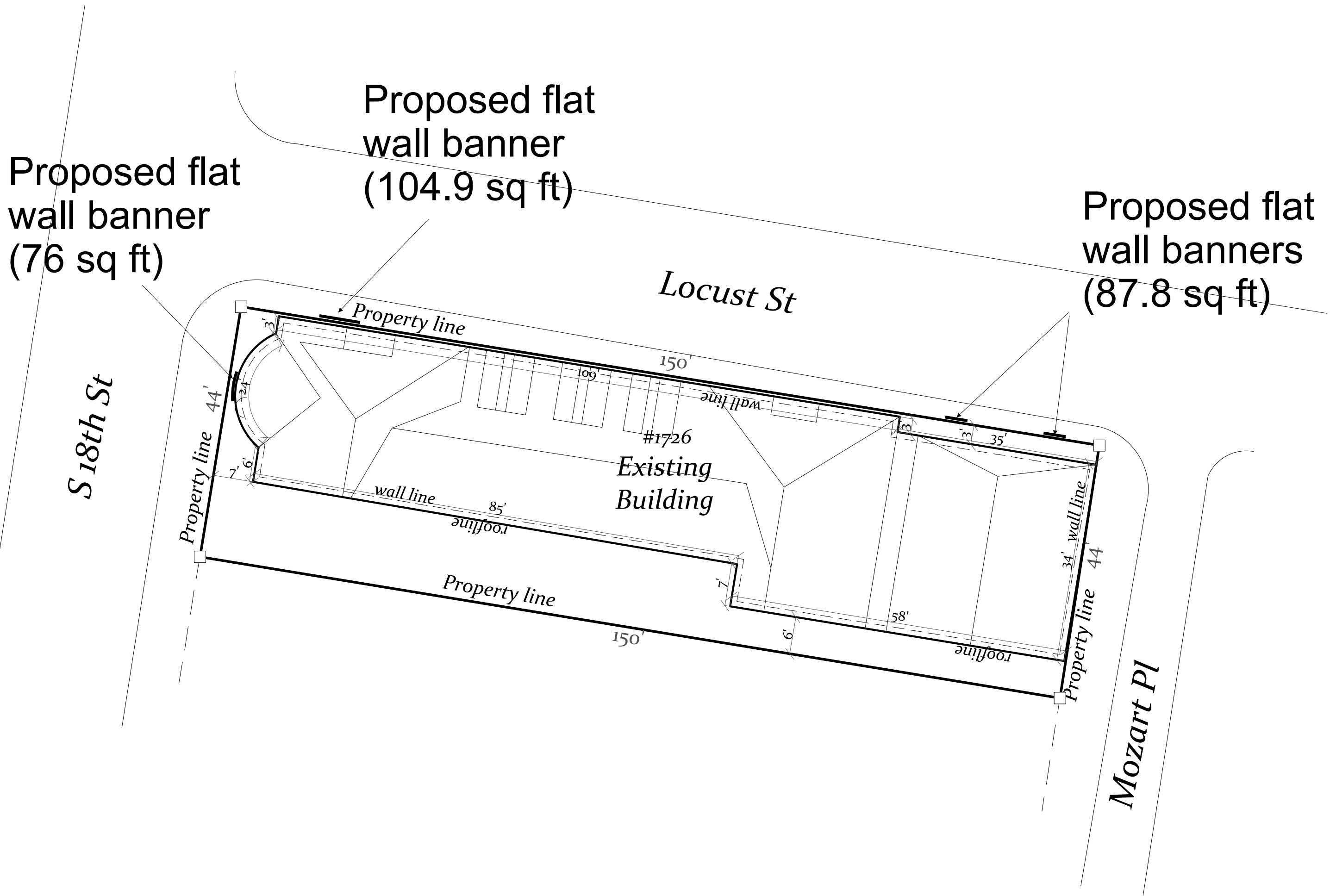




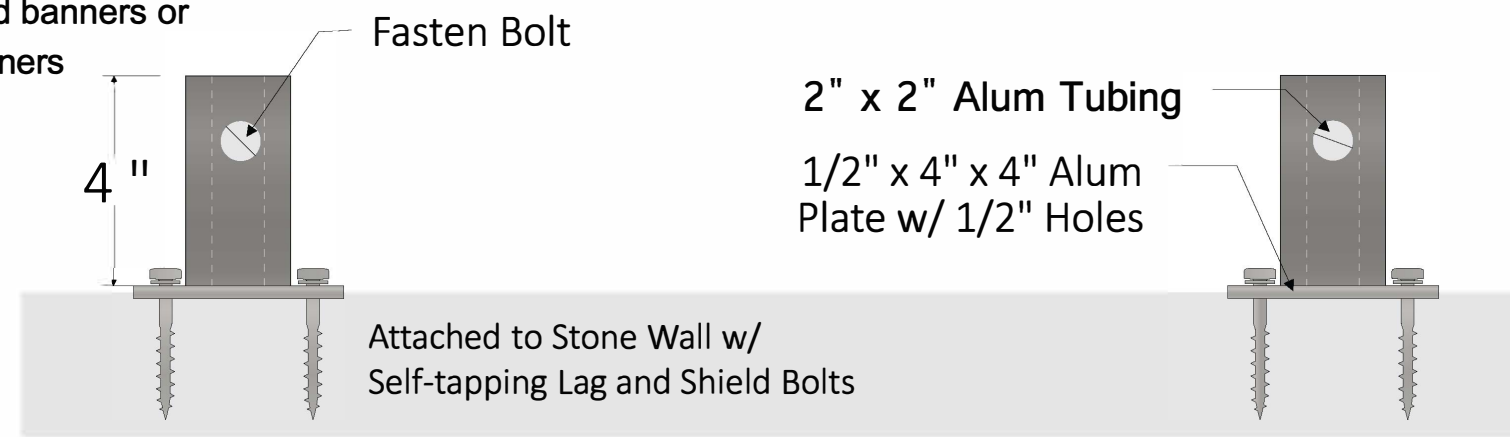
scale: 1" = 15'



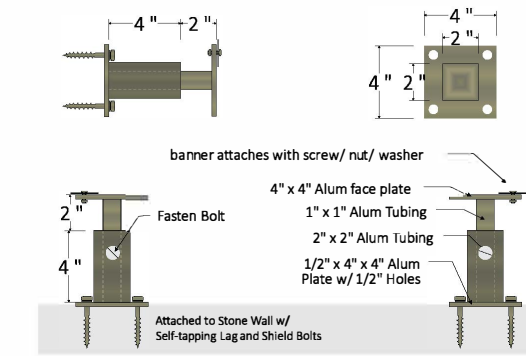
Legend

- Property line
- - - Topography line
- - - Wall line
- Roof line
- o - Retaining wall
- o - Fence
- Proposed addition

Qty: 6
 wall mounting brackets per banner attached to stone wall with self-tapping lag and shield bolts
 Each mounting bracket will be compatible with:
 1- plates to use with grommet-mounted banners or
 2- poles to use with pole-mounted banners

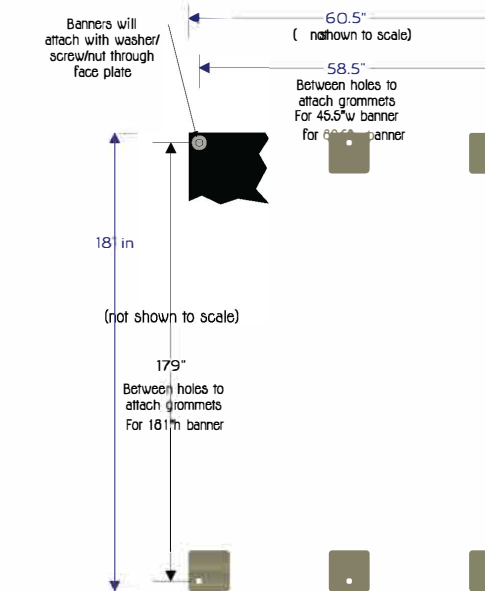


to use with banners with Grommets

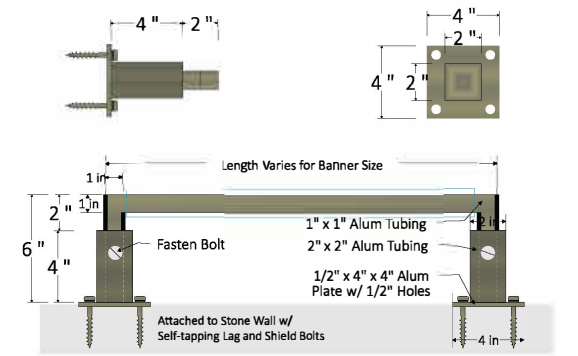


Front View
 To use with banners with grommets

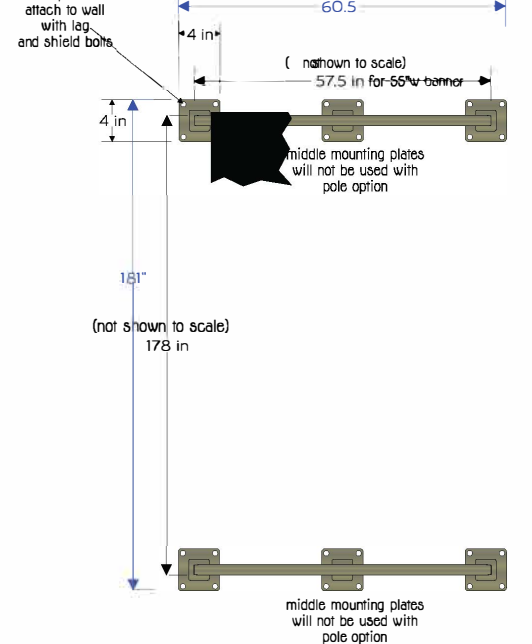
* Poles and hardware painted to match Gemini FCO Oxidized bronze sample



To use with banners with Pole Pockets

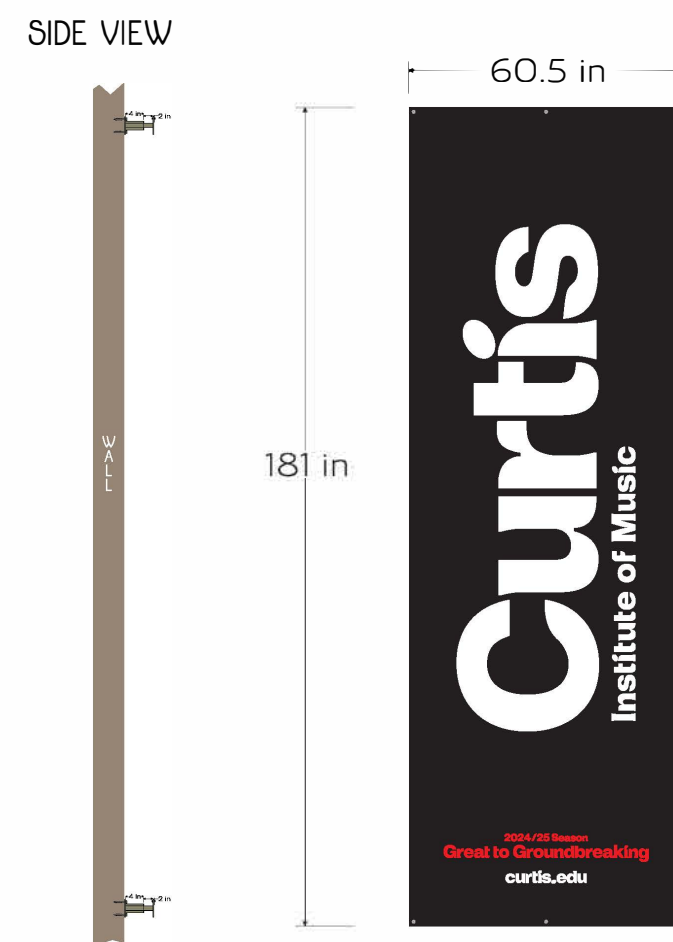


* Poles and hardware painted to match Gemini FCO Oxidized bronze sample
 Front View



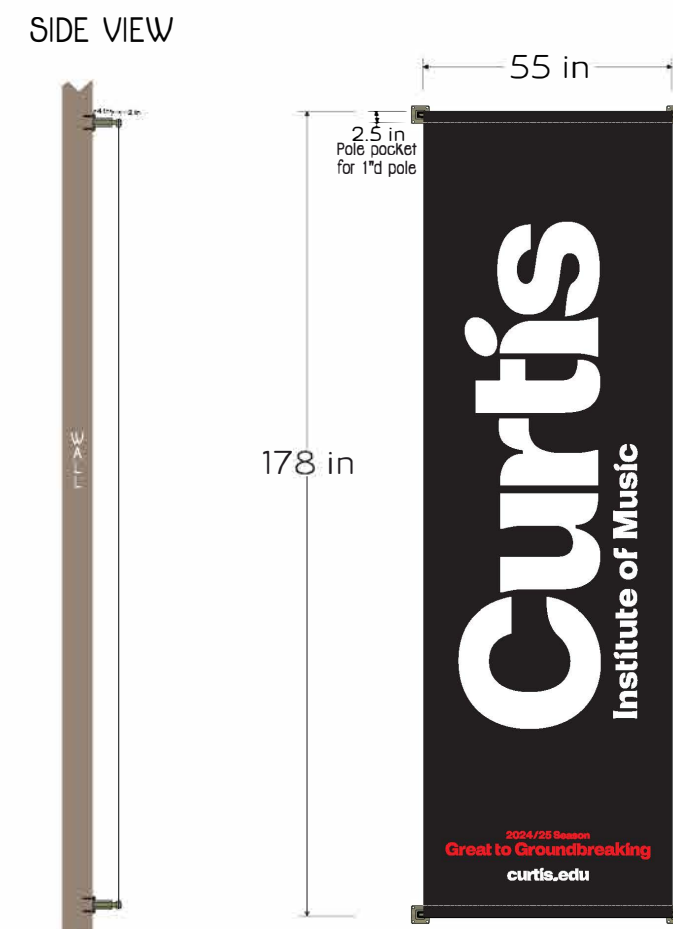
18th St

Banner with Grommets



Qty: 1
 Single-sided digital print on Display Banner Grommets

Banner with Pole Pockets



Qty: 1
 Single-sided digital print on Display Banner Pole Pockets

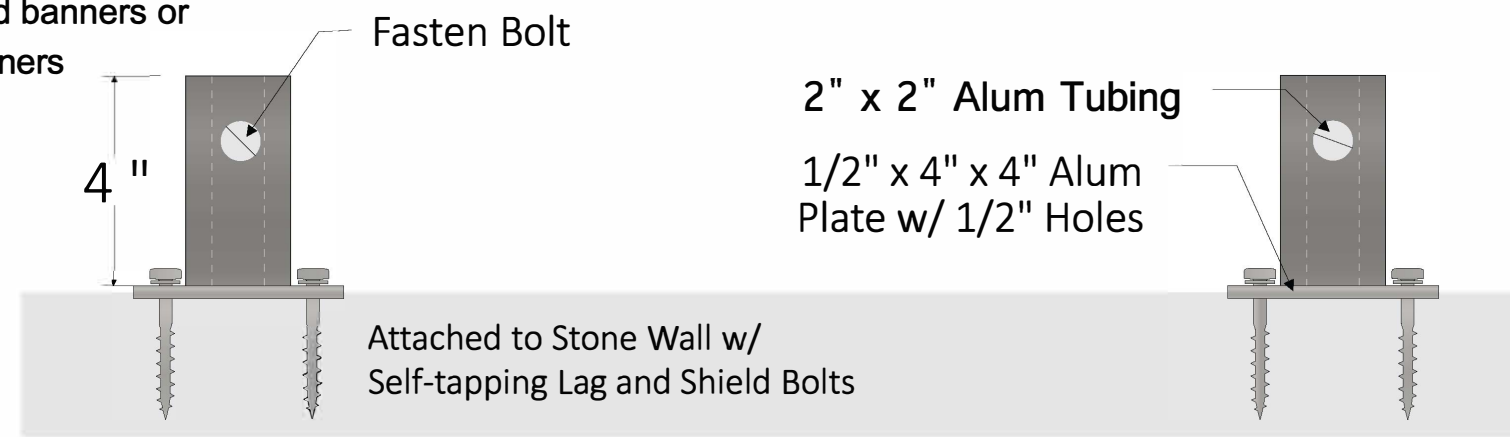
Existing



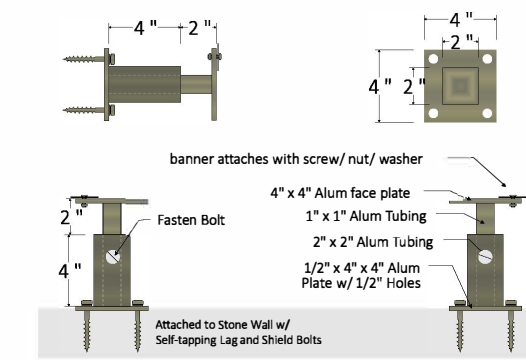
Proposed



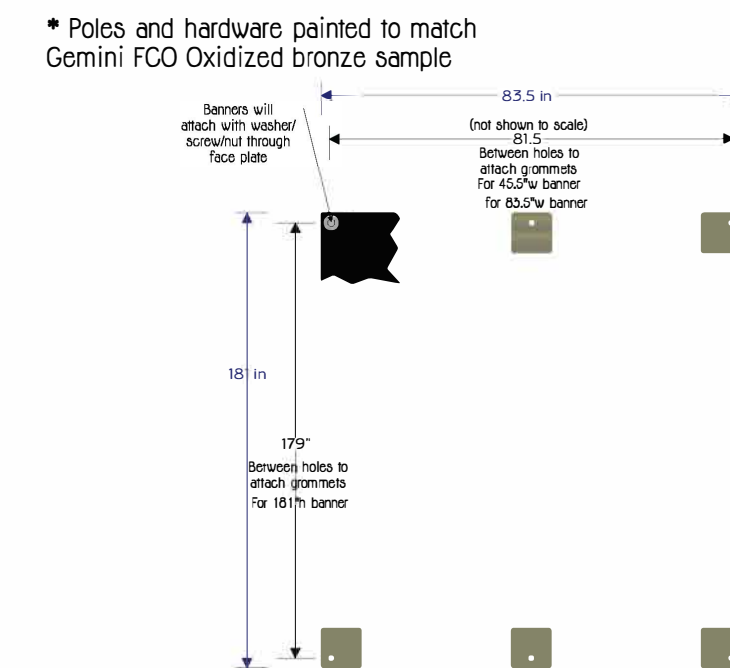
Qty: 6
 wall mounting brackets per banner attached to stone wall with self-tapping lag and shield bolts
 Each mounting bracket will be compatible with:
 1- plates to use with grommet-mounted banners or
 2- poles to use with pole-mounted banners



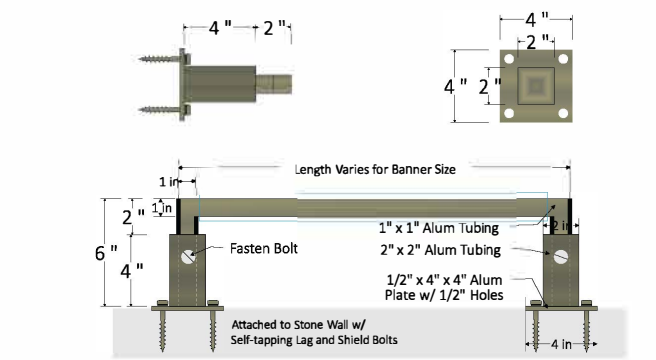
to use with banners with Grommets



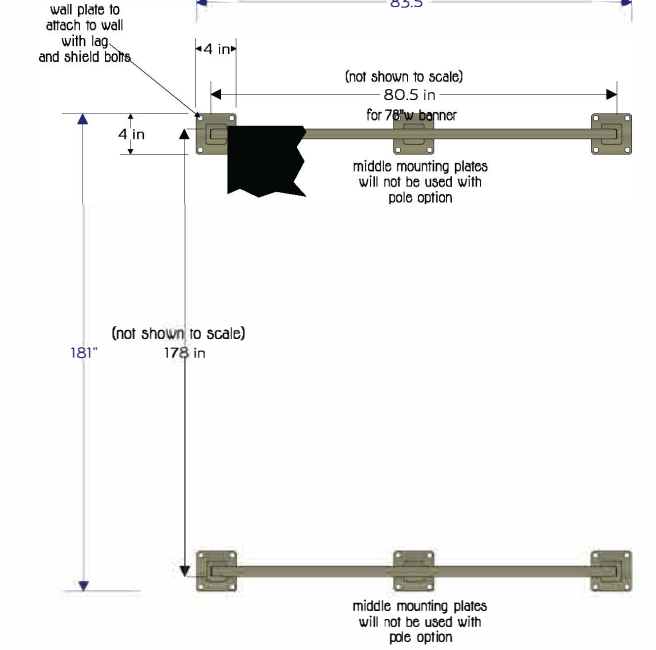
Front View
 To use with banners with grommets



To use with banners with Pole Pockets

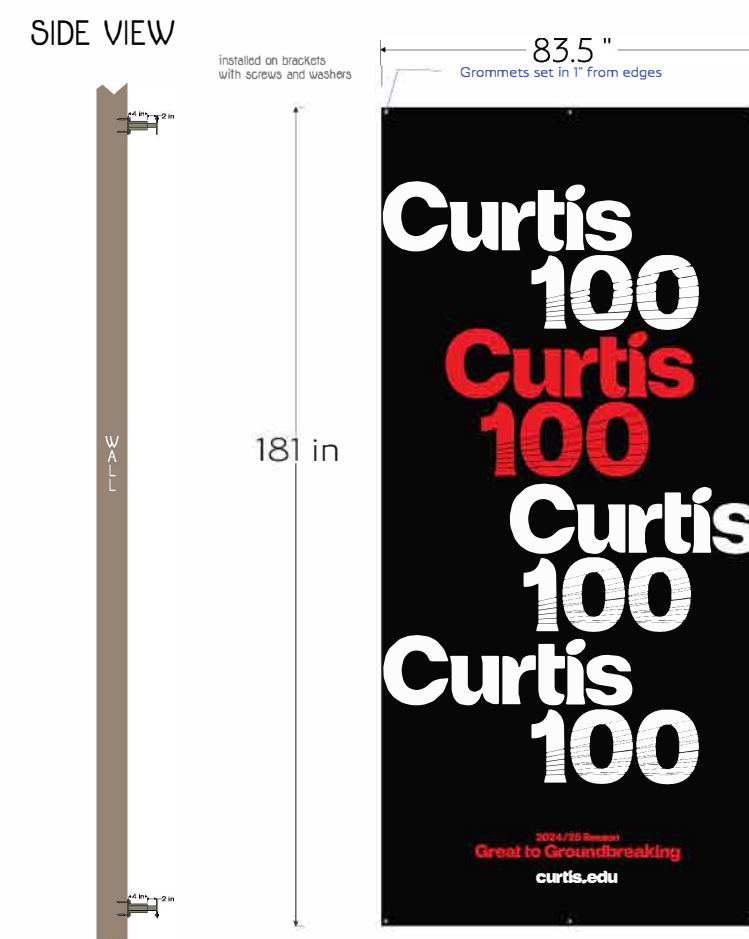


* Poles and hardware painted to match Gemini FCO Oxidized bronze sample
 Front View



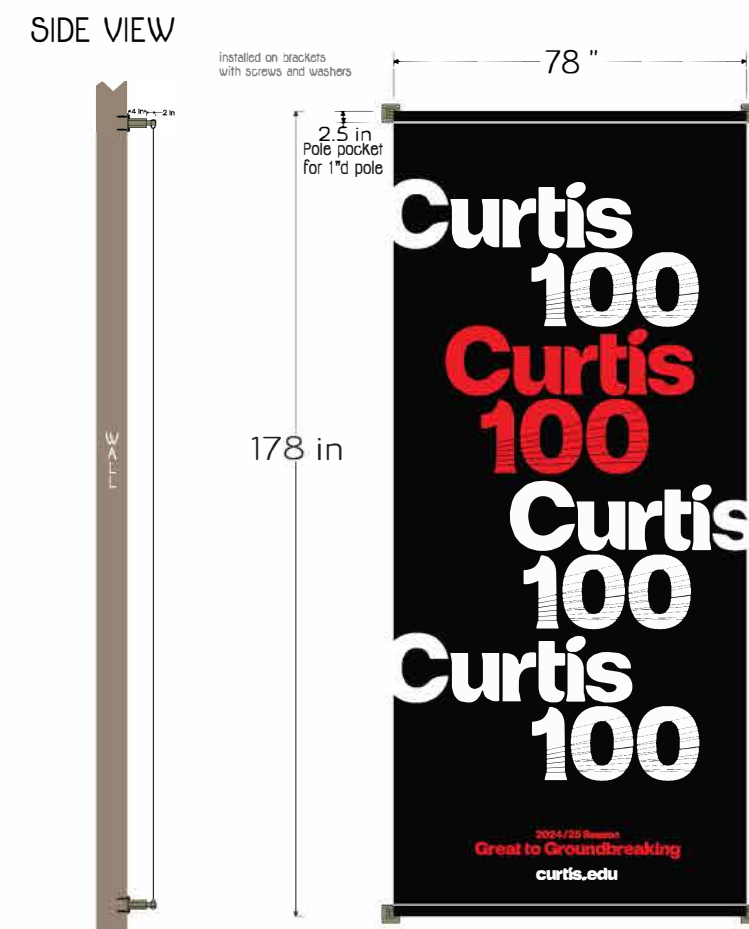
Locust Street (near 18th St)

Banner with Grommets



Qty: 1
 Single-sided digital print on Display Banner Grommets

Banner with Pole Pockets



Qty: 1
 Single-sided digital print on Display Banner Pole Pockets

Existing



Proposed

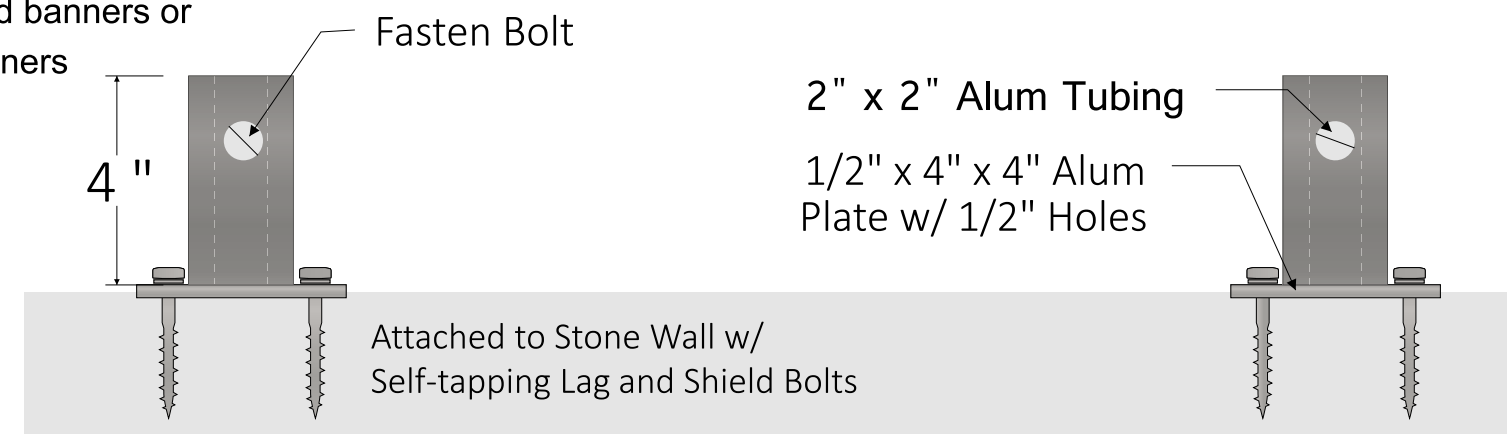


Qty: 4

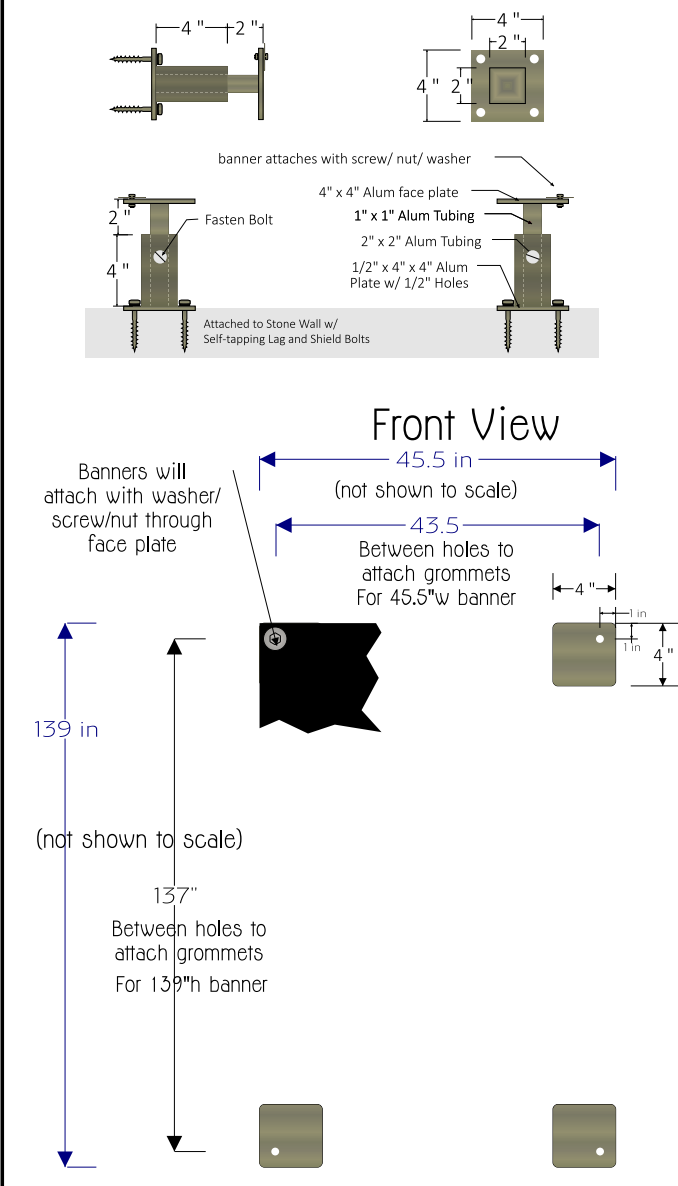
wall mounting brackets per banner attached to stone wall with self-tapping lag and shield bolts

Each mounting bracket will be compatible with:

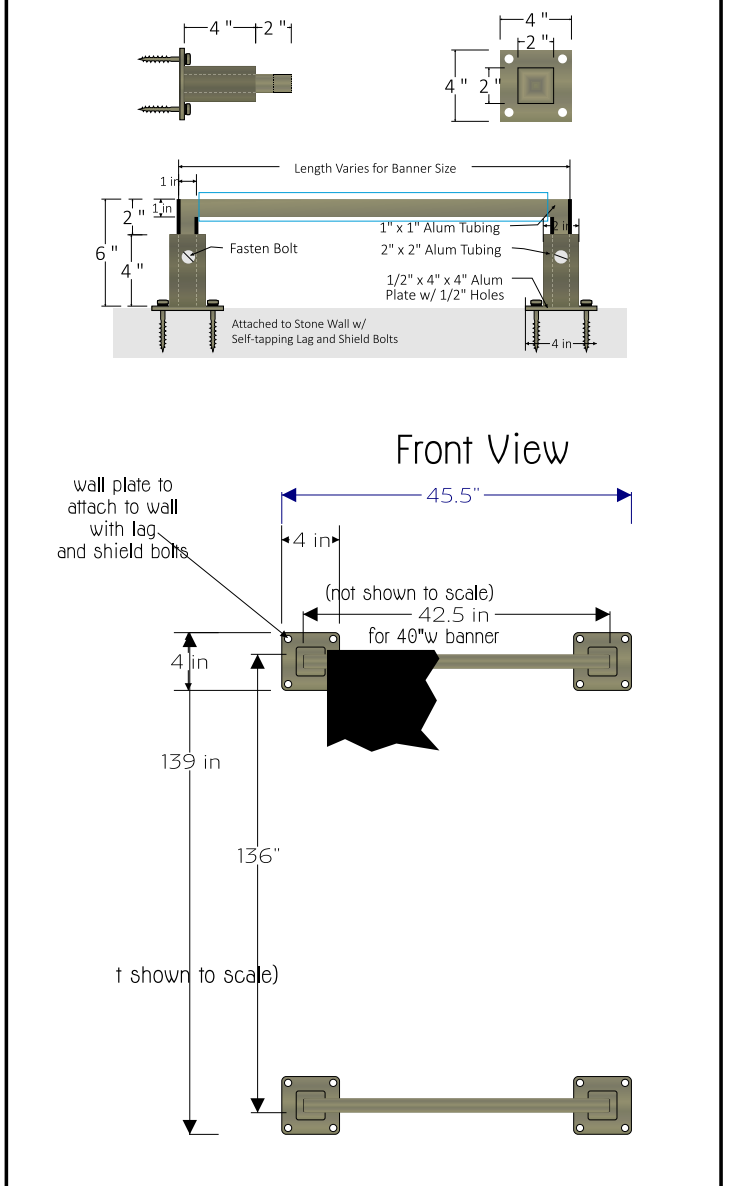
- 1- plates to use with grommet-mounted banners or
- 2- poles to use with pole-mounted banners



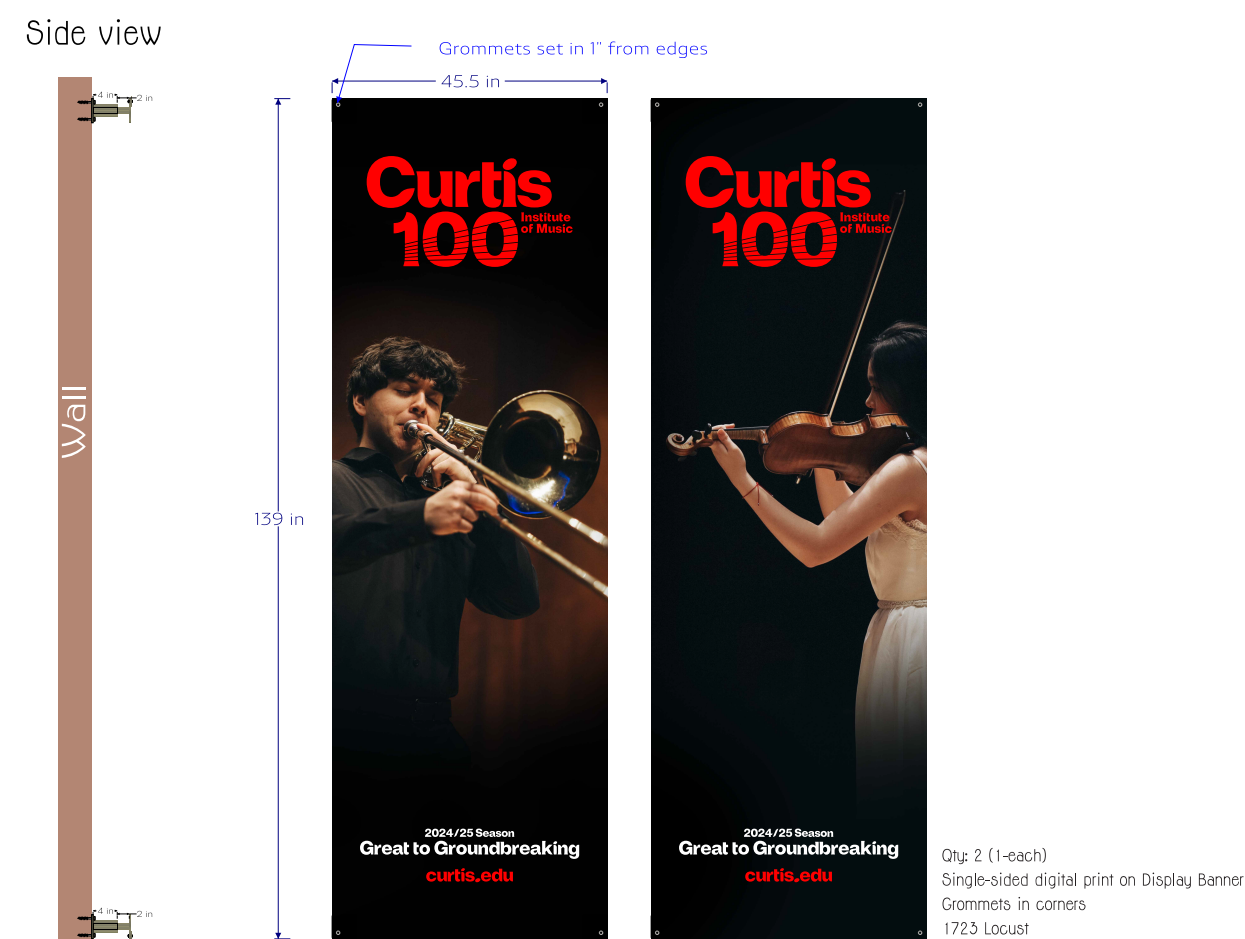
To use with banners with Grommets



To use with banners with Pole Pockets



Banners with Grommets



Banners with Pole Pockets



Existing



Proposed



Signarama
The way to grow your business.
CENTER CITY PHILADELPHIA

238 Market Street • Philadelphia, PA 19106
P: 215-238-9050 • F: 215-238-9070
signs@signaramaccpila.com

Locust Street (near Mozart PI)