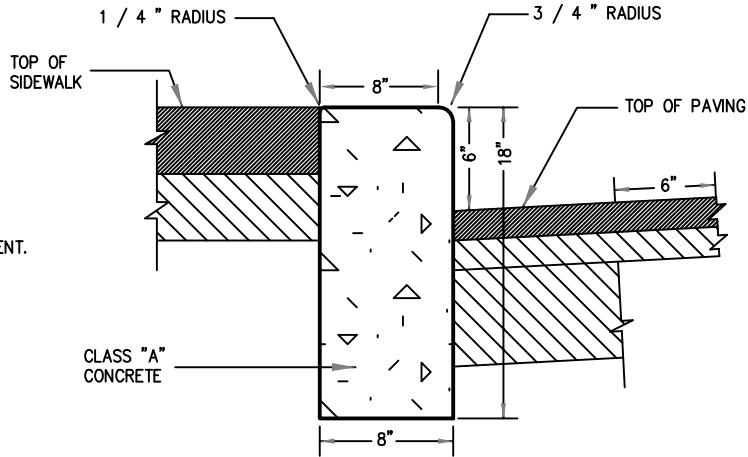
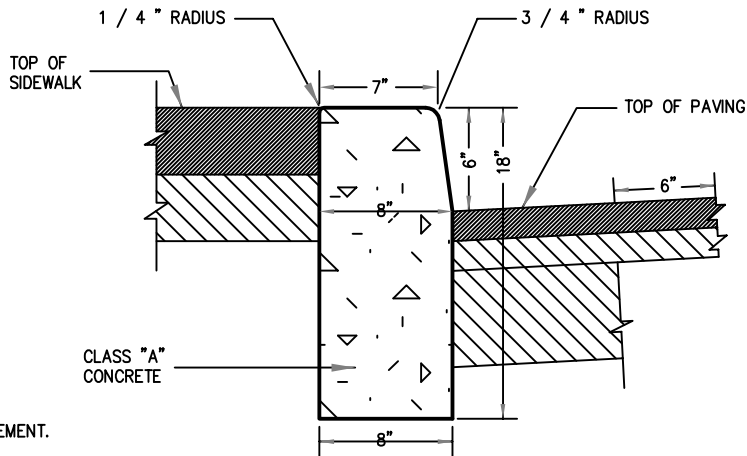


- NOTES:
 1. CONSTRUCT SIDEWALK BACK TO FIRST JOINT.
 2. REFER TO STANDARD DETAIL SC0101 FOR SUB-BASE REQUIREMENT.



TYPE "A"
 VERTICAL FACE CONCRETE CURB

- NOTES:
 1. CONSTRUCT SIDEWALK BACK TO FIRST JOINT.
 2. REFER TO STANDARD DETAIL SC0101 FOR SUB-BASE REQUIREMENT.



TYPE "B"
 1" BATTER FACE CONCRETE CURB

(REPLACES FORMER DETAIL L-779)

CITY OF PHILADELPHIA DEPARTMENT OF STREETS			
STANDARD CONCRETE CURB CONSTRUCTION TYPES "A" & "B"			
DATE	12/29/05	SHEET 1 OF 1	DRAWING NO.
REVISED	3/01/15		SC0102
APPROVED: V.L.F.			