

Ez Signs, LLC  
2177 Bennett Road  
Philadelphia, PA 19116  
Tele: 1(866) 349- 5444  
FAX: (215) 676-3269  
[service@signsinstall.com](mailto:service@signsinstall.com)

EZ SIGNS INC  
1 (866) FIX-LIGHT

---

May 18, 2021

To whom it may concern,

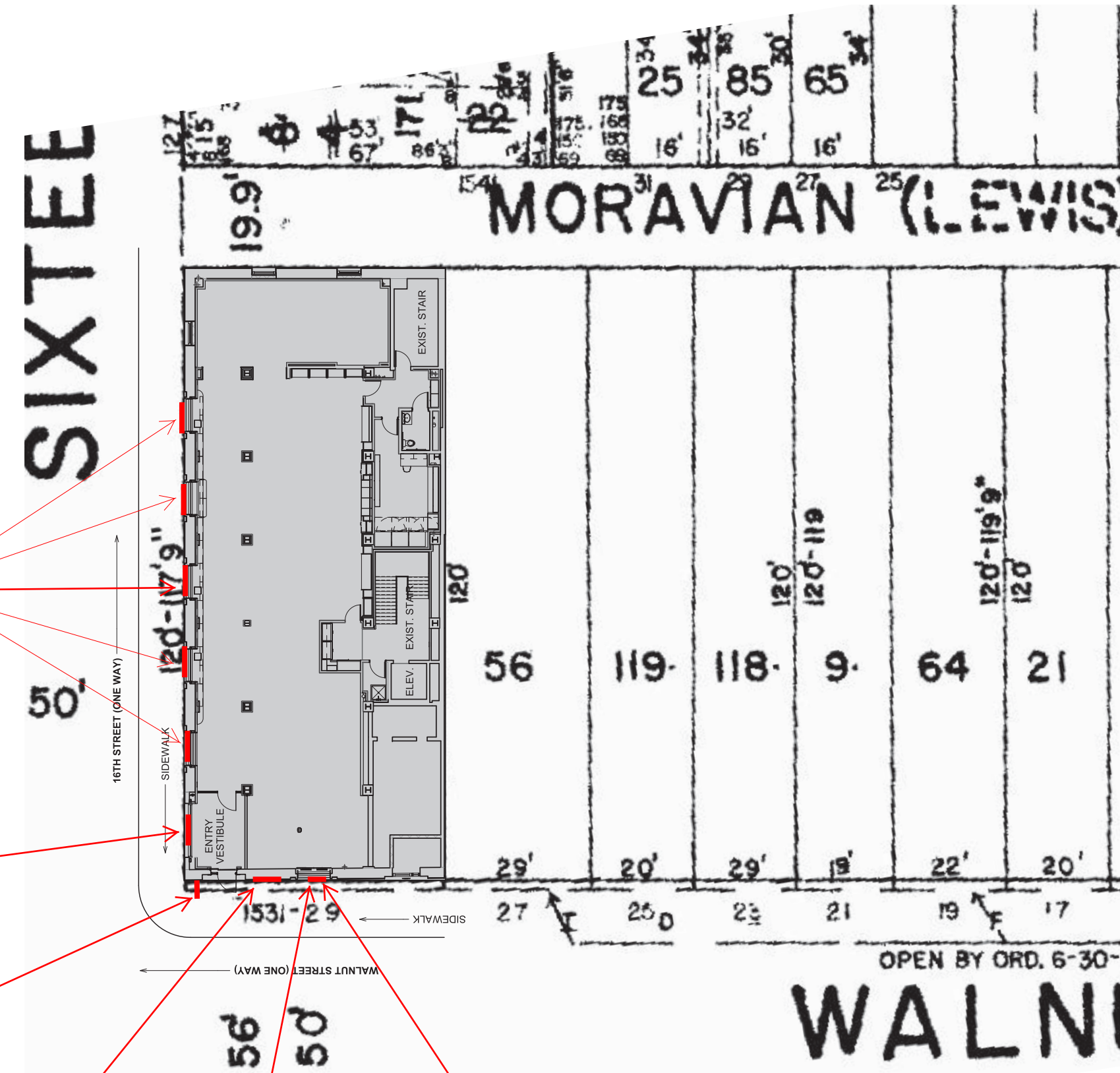
Proposed Signs installation for Govberg Jewelers located at: 1529 Walnut St.

The scope of work includes:

- A- Install two (2) Static LED-lit accessory cabinet signs:  
A1 – 29.9 Sq Ft; A2 – 26.8 Sq Ft
- B – Install six (6) NON-illuminated accessory window sign panels  
0.7 Sq Ft sign area of each panel
- C – Install one (1) vinyl window cover, NO copy/NO logo, solid color ONLY.  
59 Sq Ft
- D – Install one (1) D/S static LED-lit accessory projecting sign. 3.8 Sq Ft

If you have any questions please, feel free to contact me at any time!

***Natalya Atroshyna***  
*EZ SIGNS LLC*  
*2177 Bennett Road*  
*Philadelphia, PA 19116*  
*p. 267-406-0273*  
*f. (215) 676-3269*  
*e. [permits@signsinstall.com](mailto:permits@signsinstall.com)*



B - Install five (5) NON-illuminated accessory window sign panels  
0.7 Sq Ft sign area of each panel

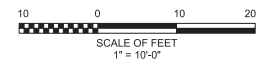
A1  
Install one (1) Static LED-lit accessory cabinet sign 29.9 Sq Ft;

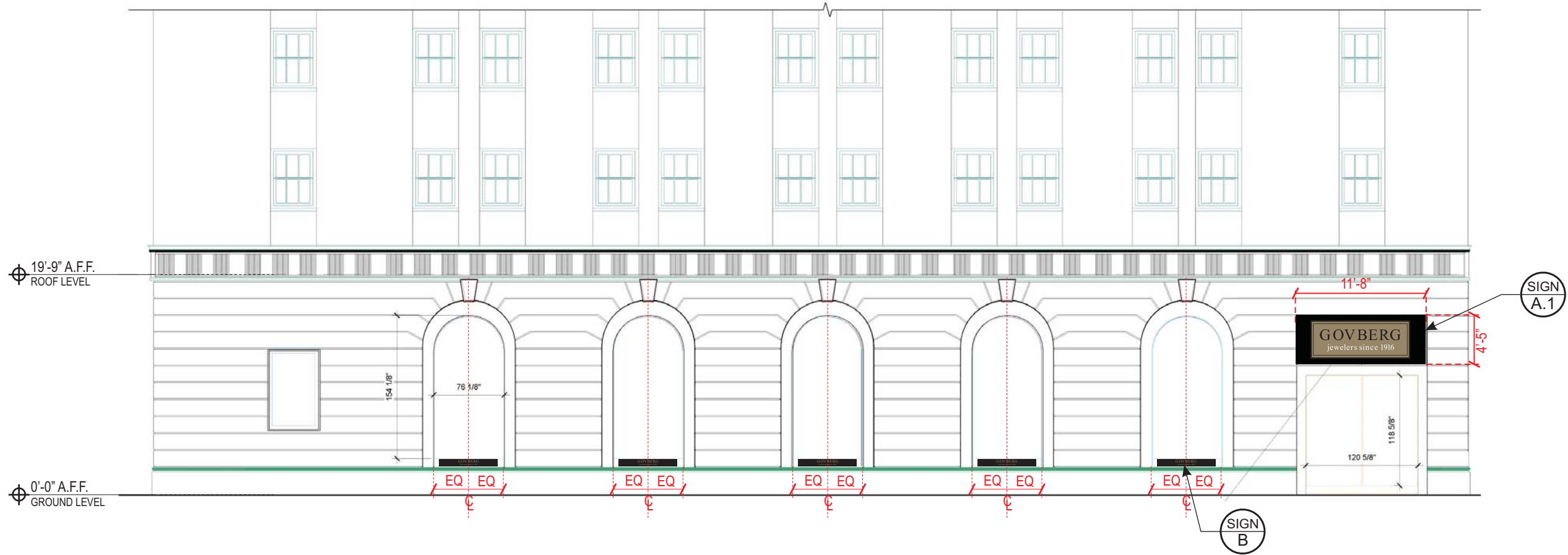
D  
Install one (1) D/S static LED-lit accessory projecting sign. 3.8 Sq Ft

A2  
Install one (1) Static LED-lit accessory cabinet sign 26.8 Sq Ft;

B  
Install one (1) NON-illuminated accessory window sign panel  
0.7 Sq Ft - sign area

C - Install one (1) vinyl window cover, NO copy/NO logo, solid color ONLY.  
59 Sq Ft





EXISTING



PROPOSED

PHOTO RENDERING - 16TH STREET.

SCALE: NTS





EXISTING

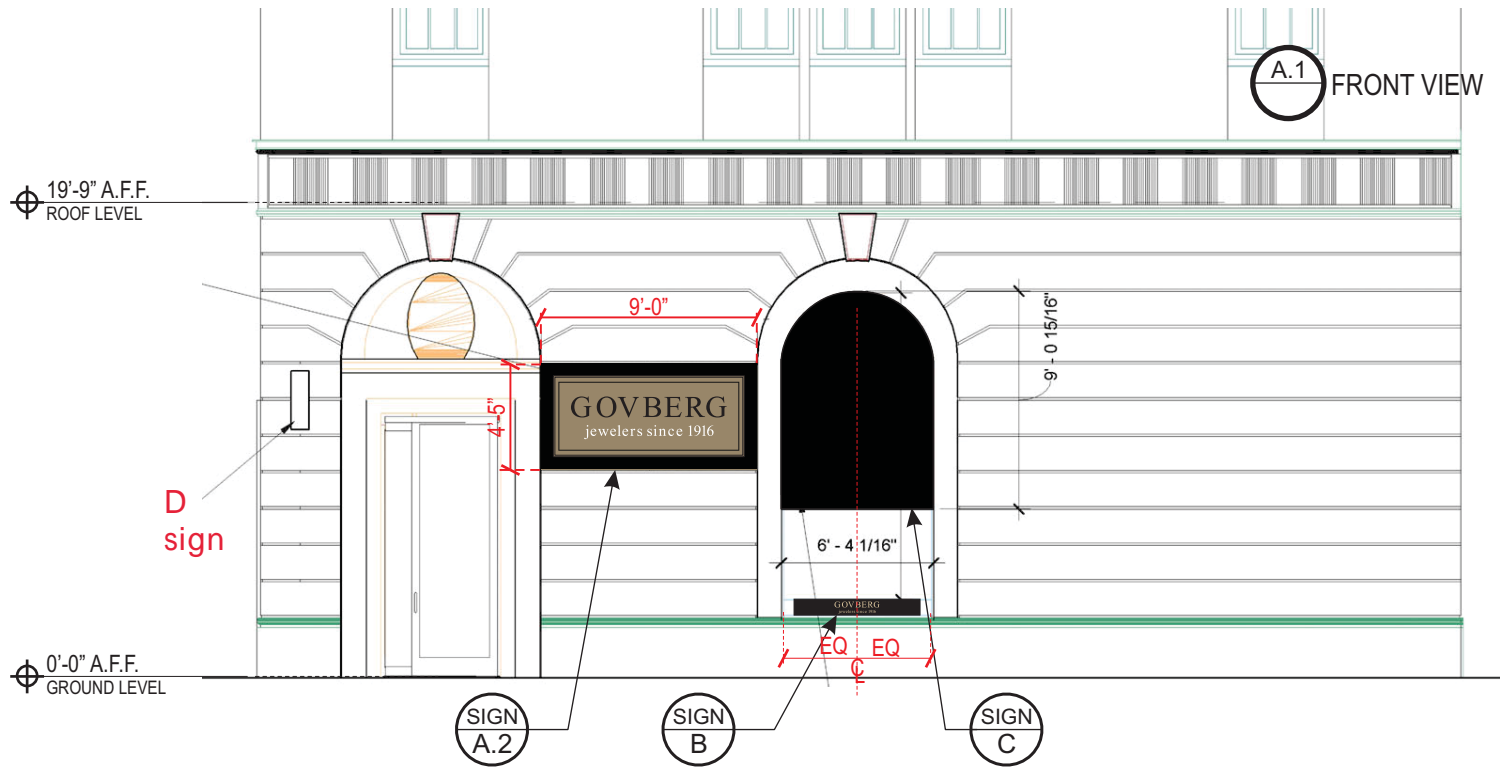


PROPOSED

PHOTO RENDERING - Walnut St

SCALE: NTS

1.1



ILLUM. CABINET SIGN w/ PUSH-THRU COPY AND BORDER  
Install two (2) statically LED-lit accessory signs A1, A2.

SIGN  
A

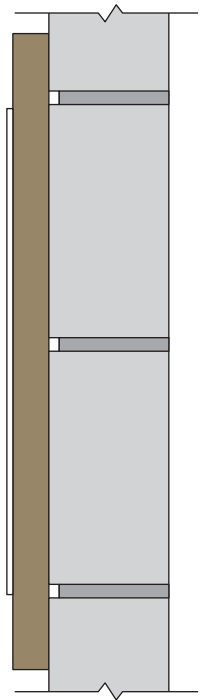
SCALE: 3/4" = 1'-0"

QTY: TWO (2)



SIGN A.1 16TH STREET WALL SIGNAGE  
FRONT VIEW

29.9 Sq ft

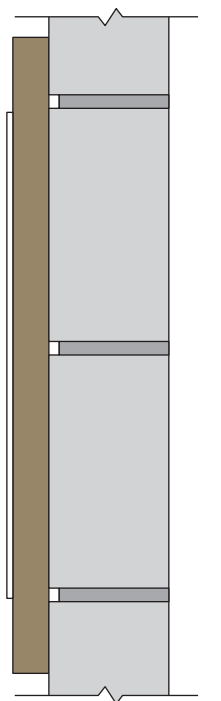


SIGN A.3 SIDE VIEW



SIGN A.2 WALNUT STREET WALL SIGNAGE  
FRONT VIEW

26.8 Sq Ft

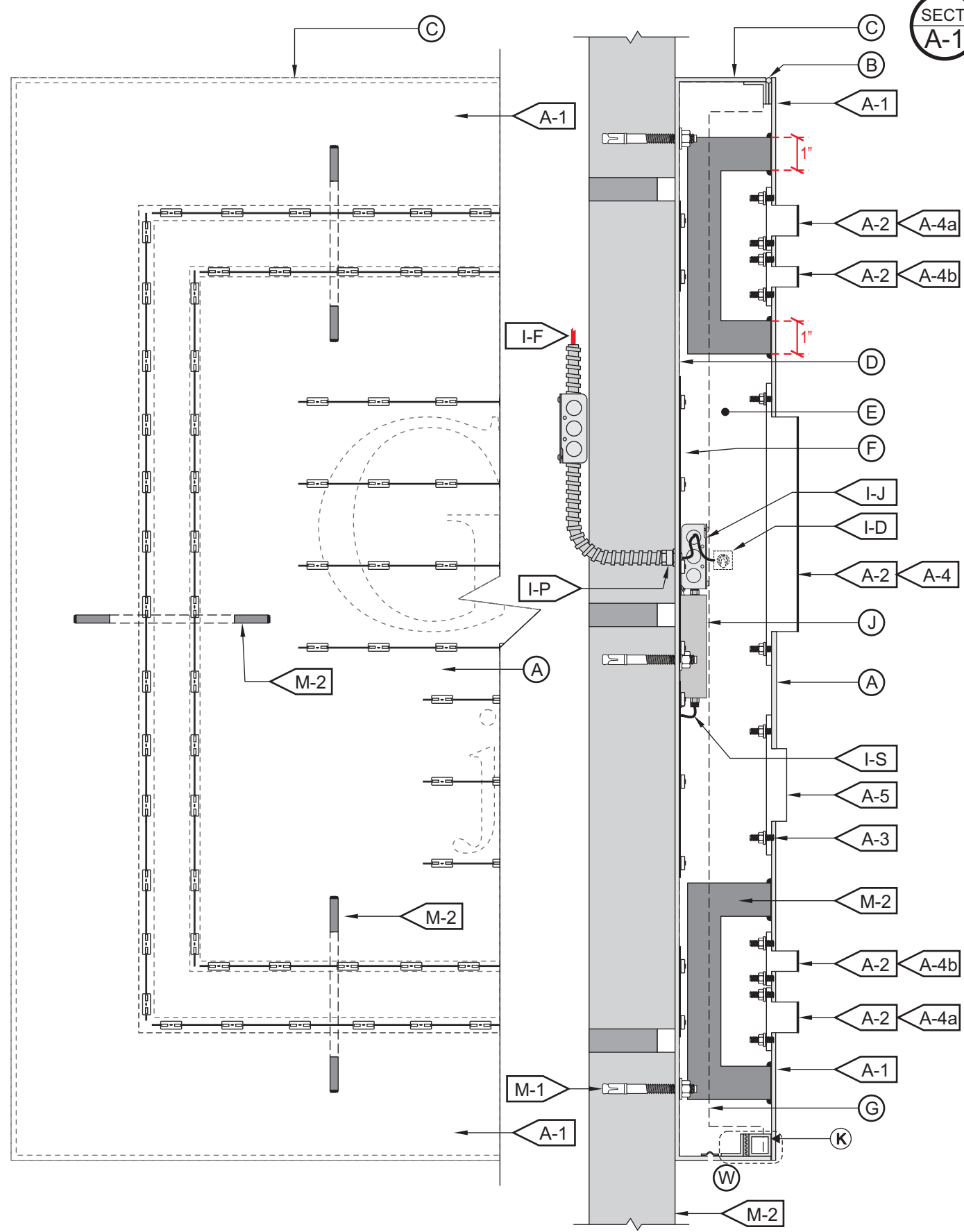


GOVBERG  
jewelers since 1916

1529 WALNUT ST  
PHILADELPHIA, PA 19102

ILLUM. CABINET w/ PUSH-THRU ILLUM. LOGO TYPE / LED ILLUM. / EXTERIOR INSTALL / CONCRETE WALL MOUNTED

SCALE: N.T.S.



SECT. A-1

<b>(A) FACE</b>	
MATERIAL:	1/8" ALUM. w/ ROUTED-OUT LOGO AND BORDER
COLOR/FINISH:	MATTHEWS LIGHT BRONZE / SATIN
A-1 VINYL:	3M WRAP FILM
COLOR/FINISH:	1080 SP242 'SATIN GOLD DUST BLACK'
A-2 PUSH-THRU:	3/4" THK. 2447 WHITE ACRYLIC. ROUTED w/ FLANGE, AND 1/2" PROTRUSION.
A-3 MNTG.:	3/4" x 10-24 WELDED STUD & NUTS.
A-4 VINYL:	<b>GOVBERG LETTERS AND BORDERS FACES ONLY</b>
COLOR/FINISH:	OPAQUE VINYL APPLIED 1ST SURFACE OF PUSH-THRU.
COLOR/FINISH:	MATCH SHERWIN WILLIAMS SW6258 TRICORN BLACK.
A-4a BORDER 1:	OPAQUE VINYL APPLIED 1ST SURFACE OF PUSH-THRU
COLOR/FINISH:	MATTHEWS LIGHT BRONZE / SATIN
A-4b BORDER 2:	OPAQUE VINYL APPLIED 1ST SURFACE OF PUSH-THRU
COLOR/FINISH:	MATCH SHERWIN WILLIAMS SW6258 TRICORN BLACK.
A-5 PUSH-THRU:	1/2" THK. 2447 WHITE ACRYLIC. ROUTED w/ FLANGE, AND 1/4" PROTRUSION.
<b>(B) HINGE</b>	
SIZE:	1" CONT., MOUNTS TO ANGLE & BACK OF FACE.
<b>(C) RETURN</b>	
DEPTH:	3" O.A.
MATERIAL:	1/8" ALUM.
COLOR/FINISH:	MATTHEWS LIGHT BRONZE / SATIN
<b>(D) BACK</b>	
MATERIAL:	1/8" ALUM.
<b>(E) INSIDE OF CAN</b>	
COLOR:	WHITE ( LIGHT ENHANCEMENT)
<b>(F) ILLUMINATION</b>	
TYPE:	STANDARD 6500K WHITE LEDS.
<b>ALL WIRES TO BE TERMINATED W/ A MECHANICAL UL LISTED FASTENER</b>	

<b>(G) FRAME</b>	
MATERIAL:	2" x 2" ALUM. ANGLE. (DASHED LINE)
<b>(H) WIRING</b>	
I-D: DISCONNECT	DISCONNECT SWITCH (SIDE OF CABINET).
I-F: FEED	SEE ELEC. NOTE. 120V PRIMARY IN J-BOX BY OTHERS.
I-P: PRIMARY	12awg FEED IN 1/2" Ø SEAL-TITE w/ CONNECTORS.
I-S: SECONDARY	U/L APPROVED CLASS II LOW VOLTAGE WIRING.
I-J: J-BOX	ALL CONNECTIONS TO BE IN WATERPROOF BOXES.
<b>(J) POWER SUPPLY</b>	
TYPE:	INTERNAL LED POWER SUPPLY & DISCONNECT SWITCH.
	TYP. J-BOX TO HOUSE ELEC. CONNECTION TO PRIMARY.
VOLTAGE:	120V.
<b>(K) HOLD CLOSE</b>	
K-1	1" x 1" ANGLE @ SIDES & BOTTOM
K-2	VELCRO @ SIDES & BOTTOM
K-3	ALUM. FACE.
K-4	1" x 1" ALUM. TUBE @ SIDES & BOTTOM
<b>(M) MOUNTING</b>	
SEE INSTALLATION NOTE.	
M-1:	MIN. 3/8" EXPANSION ANCHORS THRU INTO EXISTING CONCRETE WELL. (MIN. 5" EMBEDMENT)
M-2:	6 1/2" x 1/4" THK. ALUM. PLATE "C" SUPPORT BRIDGE WELDED TO BACK OF FACE. (SEE DETAILS; A-1.1 BELOW)
M-3:	EXISTING CONCRETE WALL.
<b>(W) WEEP HOLE</b>	
TYPE:	1/4" W/ LIGHT-BLOCKING COVER. MIN. QTY.: TWO (2).



Install two (2) statically LED-lit accessory signs A1, A2.

DETAIL "C" ALUM. PLATE SUPPORT BRIDGE DETAILS  
A-1.1 SCALE: 3/8" = 1'-0"

120V INSTALL

- CUSTOMER G.C. TO PROVIDE ADEQUATE WOOD OR MTL. BLOCKING IN CORRELATION W/ FACADE FRAMING AS REQUIRED.
- INSTALLER IS TO V.I.F. & PROVIDE THE PROPER NON-CORROSIVE MOUNTING HARDWARE TO ENSURE SAFE INSTALLATION.
- ALL EXTERIOR FACADE PENETRATIONS TO BE WATER TIGHT.
- INSTALLATION TO MEET CURRENT N.E.C., U.L. & LOCAL CODES. LOCATION OF THE DISCONNECT SWITCH AFTER INSTALLATION SHALL COMPLY WITH ARTICLE 600.6(A) (1) OF THE NATION ELECTRICAL CODE

ELECTRICAL

- ALL ELECTRICAL COMPONENTS TO BE U.L. APPROVED.
- CUSTOMER IS RESPONSIBLE FOR ONE (1) 120v/20a DEDICATED CIRCUIT w/ GROUND PER SIGN TO WITHIN 6' OF SIGN.
- THIS SIGN IS INTENDED TO BE INSTALLED IN ACCORDING W/ THE REQUIREMENTS OF ARTICLE 600 OF THE NATIONAL ELECTRICAL CODE AND/OR OTHER APPLICABLE LOCAL CODES. THIS INCLUDES PROPER GROUNDING & BONDING OF THE SIGN.

FABRICATOR

- PLACEMENT OF LIGHTING ELEMENTS FOR OPTIMUM ILLUMINATION OF SIGN TO BE DETERMINED IN PRODUCTION.
- MANUFACTURER & U.L. LABELS TO BE APPLIED & VISIBLE FROM THE GROUND. LOCATED ON THE LAST CHANNEL LETTER OR END OF THE SIGN BOX/FREESTANDING SIGN

UL ALL ELECTRICAL COMPONENTS ARE TO BE UL APPROVED



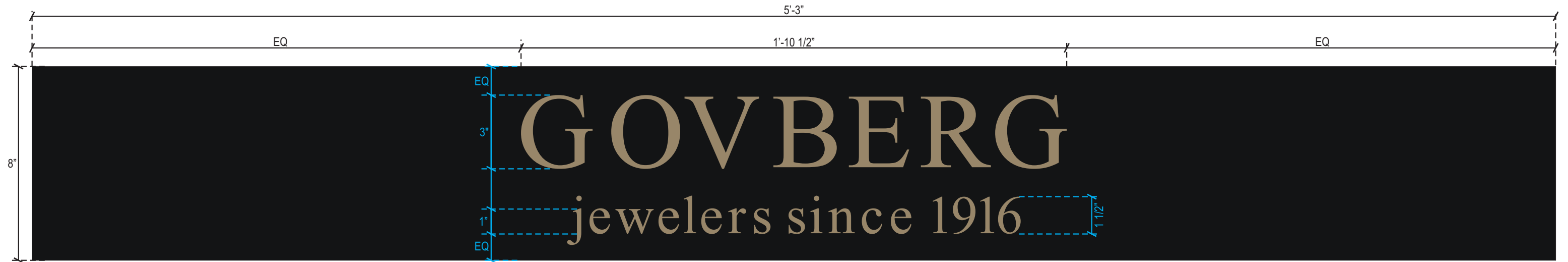
NON-ILLUM. PANEL SIGN

SIGN  
B

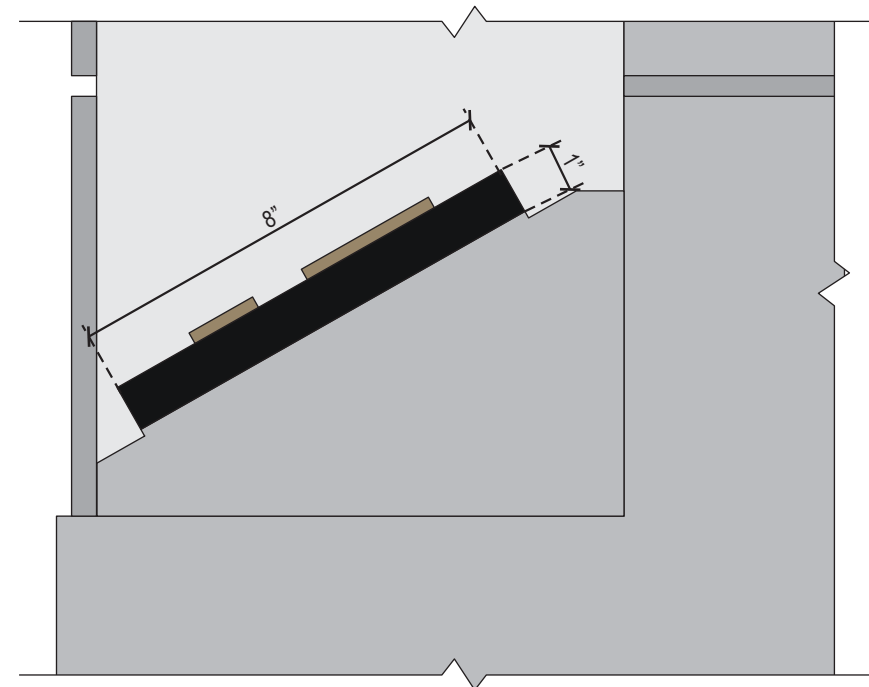
SCALE: 3" = 1'-0"

QTY: SIX (6)

Install six (6) NON-lit accessory window sign panels  
0.7 Sq Ft sign area each panel



A.1 FRONT VIEW

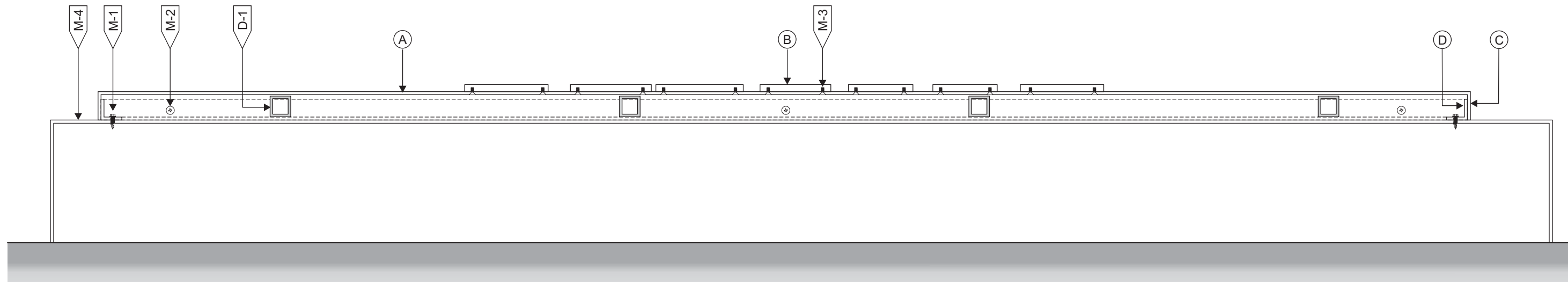


A.2 SIDE VIEW

GOVBERG  
jewelers since 1916

1529 WALNUT ST  
PHILADELPHIA, PA 19102

**NON-ILLUM. PANEL SIGN B**  
 Install six (6) NON-lit accessory window  
 sign panels



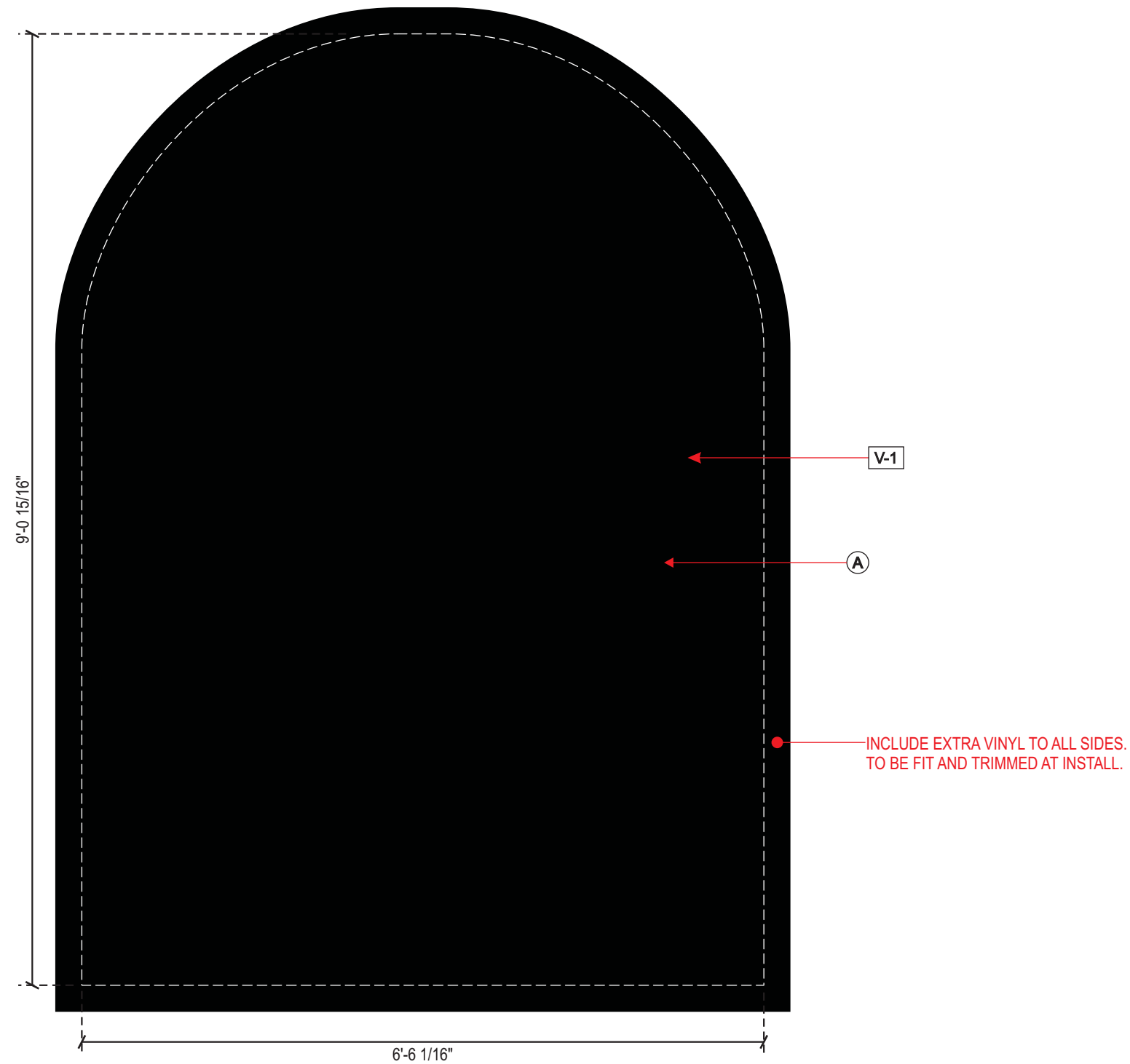
1" DEEP NON-ILLUM. PAN-FORMED PANEL SIGN / FLUSH MOUNT / INTERIOR INSTALL		SCALE: NTS	
<b>(A) FACE</b>		<b>(M) MOUNTING</b> SEE MOUNTING NOTE.	
MATERIAL:	1/8" ALUM.	M-1:	MIN. 3/8" SELF DRILLING METAL SCREWS THRU INTO EXISTING METAL SILL.
COLOR:	SHERWIN WILLIAMS SW6258 TRICORN BLACK.	M-2:	COUNTER-SUNK SCREWS @ TOP AND BOTTOM.
FINISH:	SATIN	COLOR/FINISH:	FINISHED TO MATCH RETURNS
<b>(B) GRAPHICS</b>		M-3:	SELF-TAPPING SCREW w/ VHB D/F TAPE. MIN. TWO (2) SCREWS PER LETTER.
MATERIAL:	1/4" THK. ROUTED ALUM. LETTERS	M-4:	EXISTING WIDOWS METAL SILL.
COLOR:	MATTHEWS LIGHT BRONZE.		
FINISH:	SATIN		
<b>(C) RETURNS</b>			
DEPTH:	1" DEEP PAN-FORMED PANEL		
COLOR:	SHERWIN WILLIAMS SW6258 TRICORN BLACK.		
FINISH:	SATIN		
<b>(D) MOUNTING CLIPS</b>			
MATERIAL:	3/4" x 3/4" x 1/8" ALUM. ANGLE.		
D-1:	3/4" x 3/4" x 1/8" ALUM. SUPPORT BAR.		

**MECHANICAL INSTALLATION NOTE: INSTALLER IS REQ'D. TO VERIFY ACTUAL FIELD CONDITIONS & PROVIDE NECESSARY MTG. HARDWARE & METHOD OF ATTACHMENT TO ENSURE SAFE INSTALLATION. INSTALLATION TO MEET N.E.C., UL & LOCAL CODES**



Install one (1) vinyl window cover, NO copy/NO logo, Solid color ONLY.  
59 Sq Ft

QTY.: ONE (1)



DETAILS C.1

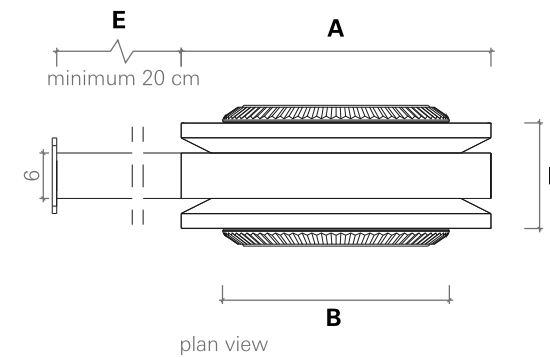
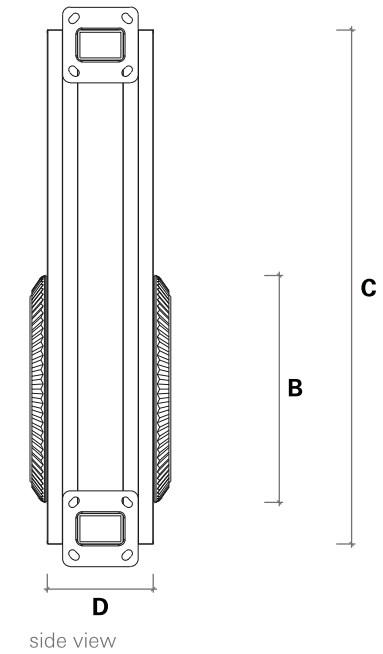
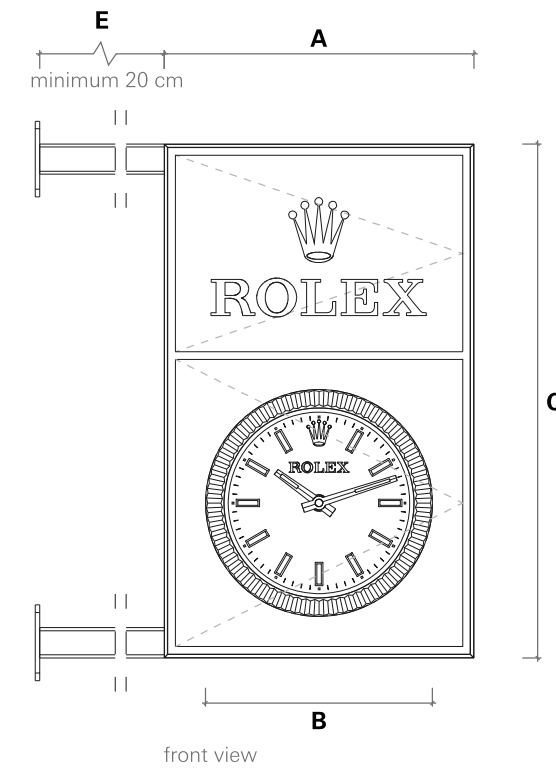
NEW VINYL GRAPHICS / GLASS WINDOW FACES	
(A)	FACES
MATERIAL:	EXISTING GLASS WINDOW
FINISH MATRIX	
(V-1)	VINYL
	3M WRAP FILM - 1080-S12 'SATIN BLACK'
FINISH	SATIN
APPLIED	1ST SURFACE OF EXISTING WINDOW.

Install one (1) D/S statically LED-lit accessory projecting sign

QTY.: ONE (1)



D.1 BLADE SIGN ELEVATION



Ø 360 mm

A	465 mm	18.3"
B	360 mm	
C	765 mm	30.1"
D	140 mm	
E	250 mm	

Poids  
Weight 40 kg

3.8 Sq Ft

D.2 DETAILS

**Construction**

- Single- or double-face vertical casing with RH-240
- OP464 brown-colour aluminium case
- Permalux P4 anodized profiles
- Gold-colour fluted bezel
- White dial
- Gold-colour hour markers, hands, logo
- Green and yellow LED logo in relief on mirror-finish brass plate
- Flush, green and yellow LED logo

**Master clock synchronization**

Quartz teletest, DCF, MSF, GPS

**Options**

LED lighting, 110–240 V

**Mounting**

Side-mounted, suspended, or wall-mounted for the single-face version only

**Technical characteristics**

110–230 V external master clock





PRIME RETAIL  
FOR LEASE

The Sherman Company  
215-678-5800

FOR LEASE  
OFFICE SPACE  
310-410-8800



VISION  
PHOTO BOOTH  
PHOTO BOOTH  
Order your Ambition

3041  
Elite  
SEPTIA

Barbo





919-03

LUSH

SEPTA

200





tempers  
Fashion

LUSH FRESH  
HANDMADE COSMETICS

FOLLOW THESE SIGNS





**LUSH** FRESH  
HANDMADE  
COSMETICS

BRANDY  
&  
MELVILLE

THE TIE BAR

LUT-9871





W 116th St

THE LACON

NOW LEASING!

FDC

BRA  
MELV

U.S. ARMY





ONE BOOK ONE  
THE AMERICAN

ONE BOOK ONE

ONE BOOK ONE

HOW LEANED

FRANDY  
MELVILLE

THE TIE BAR

THE TIE BAR





LUSH FRESH

SEPTA

12 CITY-PINE

NOW LEASING

GRAND ST  
MELVILLE





WALNUT ST

← ONEWAY

BEA...  
W...  
BEA...  
410-123

MEDICAL ART

THE SEAGOOD  
NOW LEASING!  
1300  
1300

FCC

SEPTA



REASON  
NOW LEASING  
PEARL  
670.529.4444

WALNUT ST  
ONE WAY

ONE WAY

PEARL  
LEASING!























DON'T BLOCK  
THE BOX

NO  
TURN  
ON RED

PLAY  
TODAY!

W 10th St

L1  
L1





LEARN  
TO DRIVE

NEW  
PODSCASTS  
FOR FREE





BEACON  
LUXURY 1 AND 2  
BEDROOM APTS  
LOW LEASING!  
PEARL  
PROPERTIES  
401-529-4444

NO STOPPING  
ANY TIME

RICE MENU

PALM STREET









PHILIPPE

WALNUT

MEXICAN GRILL







